

Pelagic Autopilot Installation and User Guide

Version 10.2.53
January 2020



Scanmar International, Inc.
14138 Washington Avenue
San Leandro, CA 94578
Phone 510.215.2010
www.ScanmarInternational.com

Revisions

- Ver 0.5: Added wind mode description of operation.
- Ver 0.6: Added Tiller Actuator mounting dimensions.
- Ver .91: Enhanced install instructions and photos.
- Ver .92: Added instructions for software update.
- Ver .93: Corrected software reload instructions.
- Ver .94: Updated with new motor control connections.
- Ver .96: Update of button control diagrams, motor drive connections.
- Ver .97: Revised images.
- Ver .98: Standby display revised, compass linearization calibration added. Wind mode improved. NMEA input enhanced to handle early NMEA versions.
- Ver .981: Clarified tiller mount dimensions.
- Ver .982: Updated photos of connections.
- Ver .984: Corrected compass orientation page.
- Ver .985: Corrected standby RED LED sequence to reflect code changes.
- Ver .986: Fixed slide with gain adjust enable error.
- Ver .987: Updated motor drive connection slide.
- Ver .988: Updated calibration, adjustment, orientation slide to show new button control.
 - Added Helm Not Responding section

Revisions (continued)

Ver .989 Added Monitor windvane slides showing attachment kit.

Ver .989d Corrected rudder sensor slide language.

Ver .989f Added software upgrade documentation.

Ver 989g: Enhanced software upgrade instructions. Added Monitor revised bracket photos and instructions for assembly.

Ver 989h: Description of new Monitor windvane actuator attachment kit.

Ver 989i: Improved description of parameter adjustments.

Ver 989i: Added photo of Monitor gear set attachment. Marked ADAPT mode as obsolete. Added means of returning parameters to default settings.

Ver 989J: Added description of new dimmer control, power on reboot.

System Overview

Congratulations on the purchase of your Pelagic Autopilot. The Pelagic is a sophisticated nine (9) axis, gyro controlled autopilot designed to deliver top performance in a variety of conditions. Advanced features allow custom tuning for optimum performance whether cruising or on the race course.

The Pelagic Autopilot is comprised of three (3) components; the Control Head, Motor Drive Box and actuator. The modular nature of the Pelagic system allows support for many different applications including:

- Tiller steered boats (large and small)
- Use of Pelagic electronics with below decks RAMs (electrical or hydraulic)
- Use of Pelagic actuators with other manufacturer's obsolete electronics
- Use with popular windvanes, including the Monitor and Aries.

The Control Head provides the autopilot control functions and is typically mounted in or adjacent to the cockpit. As the Control Head contains the electronic compass and gyro sensor, it needs to be located a minimum of 6" from metal objects, including the deck compass. The unit also has an internal USB port to receive software updates. There are two (2) important concepts that need to be understood when installing and using the Pelagic; Orientation and Calibration.

- Orientation – This is the process of orientating the Pelagic sensors. Because the Pelagic uses a gyro sensor(s), it needs to be oriented correctly so that as the boat pitches and rolls the feedback to the rudder is in the appropriate direction. Orientation is specified at time of ordering and preset at the factory. While Orientation can be changed onboard by the user, it's important to install the unit as ordered or change the Orientation prior to use.
 - Stern facing example – Control Head is mounted on bulkhead with control buttons facing aft (see below)
 - Bow facing example – Control Head is mounted on transom with control buttons facing forward
 - Port or Starboard facing are also available options



Typical Stern Facing Installation

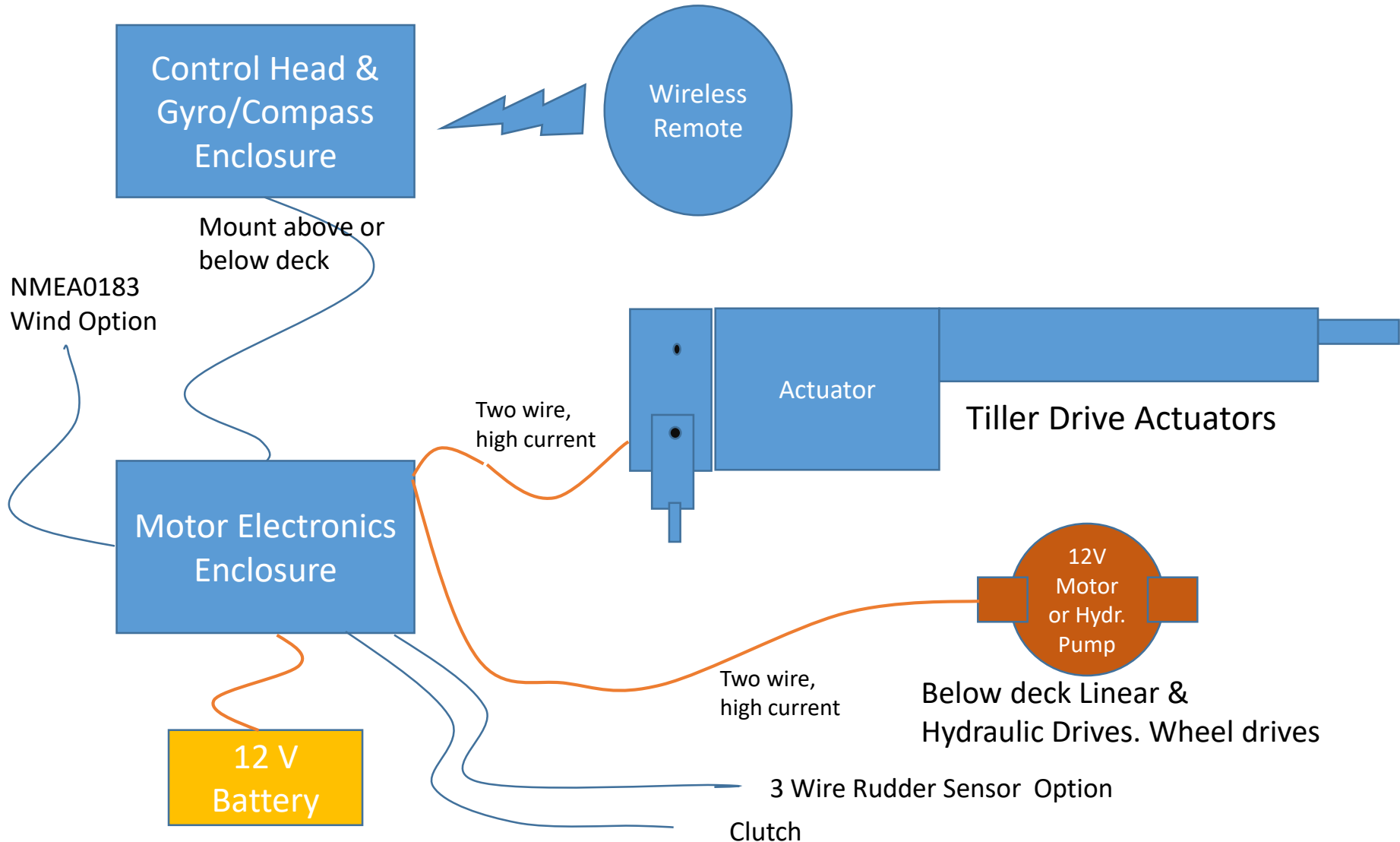
- Calibration – This is the process of calibrating the compass. Initial calibration is performed at the factory and there is no need to recalibrate onboard unless the boat puts out strong magnetic interference.
- The Motor drive box provides power to the Pelagic system and should be installed below decks out of the elements. Two versions of the Motor drive box are available; a standard version for the Pelagic actuators and a heavy electronics version to meet the demands of large actuators and below decks drives.
- The Pelagic actuators are designed to steer small to mid-displacement vessels, by direct attachment to the tiller or windvane. The actuators are ruggedized to provide longer service life.

System Features

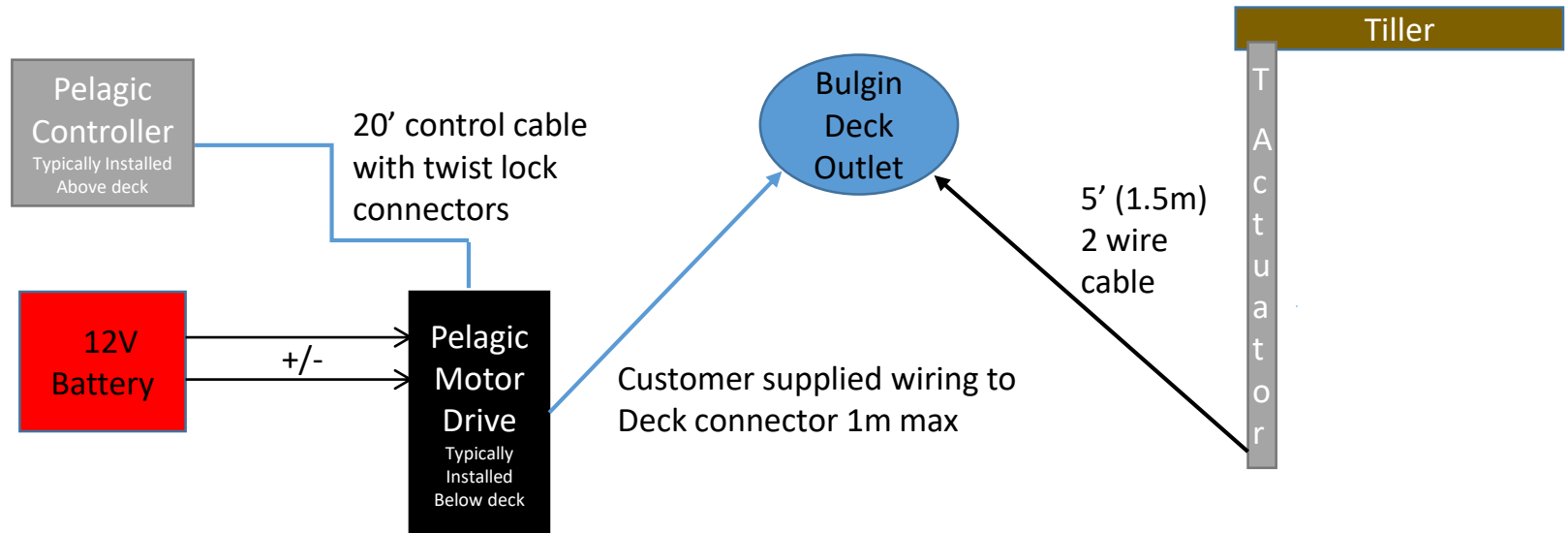
- Controls most 12 volt steering systems
 - Tiller wands & wheel steering systems
 - Windvane steering control (low power)
 - Hydraulic actuators
 - Linear actuators above and below deck.
- Internal electronic tilt compensated compass
- Gyro controlled steering
- Wind following via NMEA0183
- Optional RF (wireless) Remote control
- 9 Sensor feedback sea state and enable internal compass + gyro steering
- Software upgradable
- Adaptive adjustment for sea state to minimize power
- No rudder sensor required
- Motor stall detection and power reduction
 - Automatic stall retry
- User calibration of key parameters
- Low power in standby: less than 0.1 amps
- No battery voltage boost module necessary, operates as low as 9 volts DC (actuator reduced power)
- Housings are IP67 rated

The Pelagic System – Tiller, Quadrant, Wheel, or Windvane

Pelagic Components in blue



Typical Tiller Pilot System Layout



Tiller Wand Installation on J92 “Rag Time”



The Pelagic is Capable of Driving Hydraulics and a Variety of Linear Motors for Tiller or Quadrant



Testing of various actuators

System Components for Tiller Steering



The System Controller

Provides the user interface for operation of the autopilot. Connects to motor drive box via the data cable.

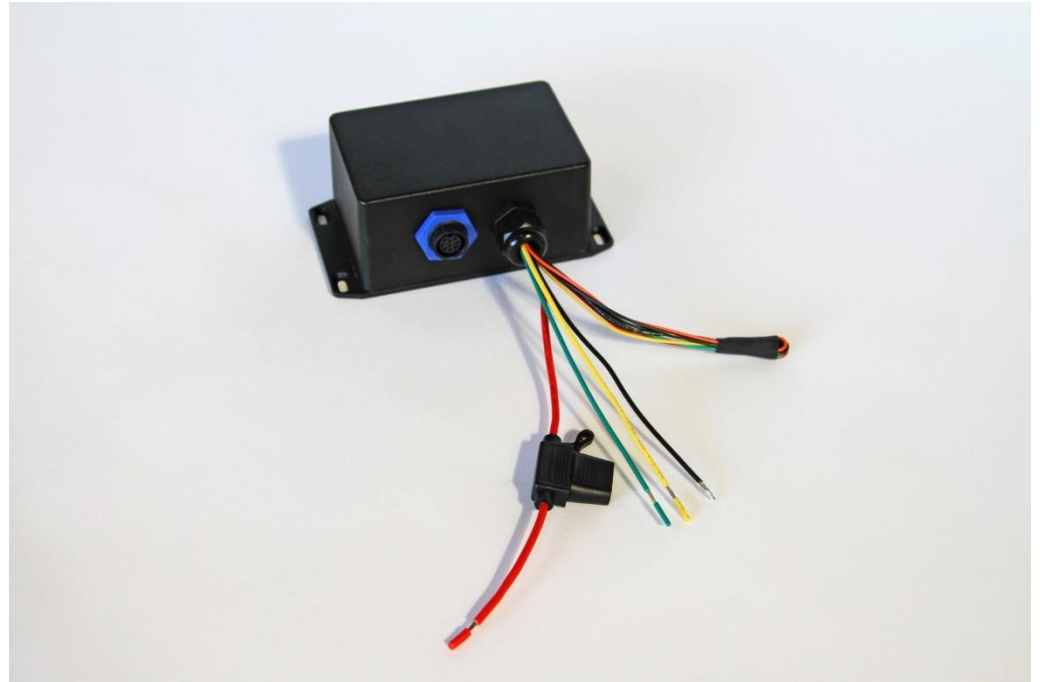
- IP-67 rated enclosure for above deck installation
- Contains 9 attitude sensors and compass implementation
- White: Standby / Autopilot Mode
- Red: Adjust course -2°
- Green: Adjust course $+2^\circ$
- Course adjustments of 10° and 25° are enabled using the remote control
- Gain Adjustment (Responsiveness)
- Calibration
- Orientation
- Advanced Settings
- Optional Wireless Remote Control
 - Contains 9 attitude sensors.
 - Implements a compass
- Internal USB port for system updates



The Motor Drive Box

Provides electrical connections for operation of the autopilot. Connects to the Controller via the data cable.

- Installed below deck
- Inline fuse
- Connections to actuator or a below decks systems motor (depending on configuration)
 - Clutch (below decks system)
 - Rudder sensor (below decks system)
- NMEA 0183 interface for wind data



The Linear Actuator

- Ruggedized construction
- Attaches to tiller 18" (457mm) forward of rudder axis
- Deck mount 24 7/16" (621mm) from tiller
 - Extensions available
- Tiller pin = 1/4" stainless
- Fixed pin = 0.375" into brass socket
- Connects to Bulgin deck socket
- To extend the life of the actuator, consider placing a Sunbrella sleeve or plastic bag over the unit when at sea or not in use



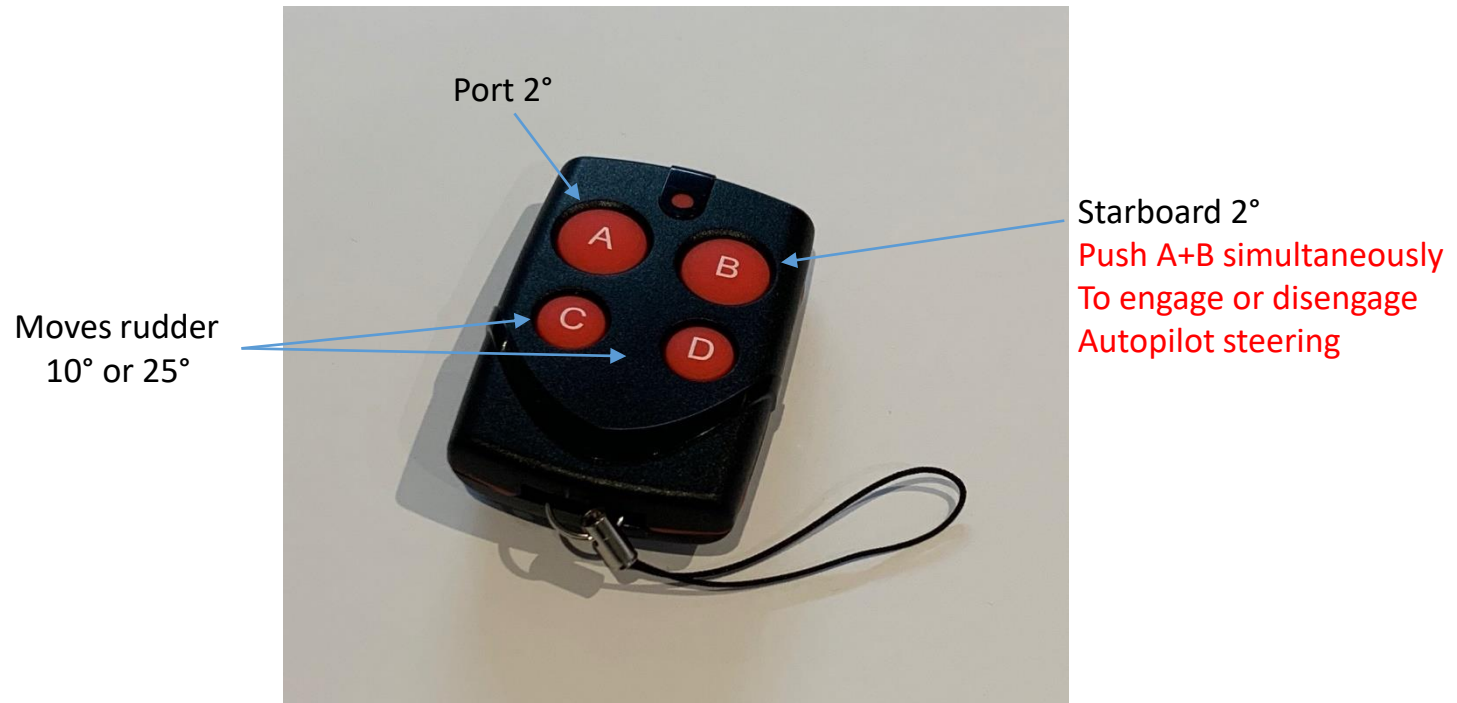
The Actuator Mounting Bracket Is Reversible and Rotatable 90°

Allows rotation of motor position, up or down
Articulates in one dimension to allow tiller motion



Water Resistant Wireless Remote

- See Summary of RF Remote Operation for detailed instructions
- Buttons Sealed with Polymer Panel under Keys
- Easy Battery Replacement



Autopilot System Components for Windvane Steering



Controller

Motor Drive

Actuator shown is for windvane control.

12 Volt Connection
Red = +
Black = ground

Linear Actuator

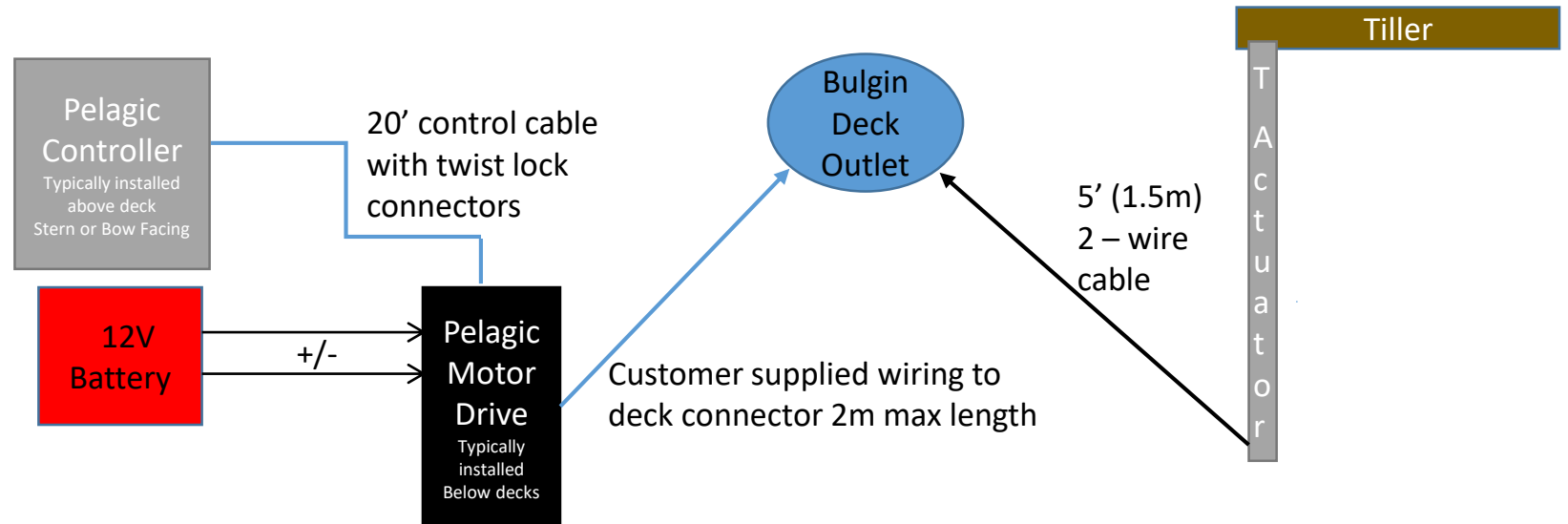
Small Linear Actuator for Windvane Steering

- Connects to the windvane
- Clamps to the 3" tube and the 1" wind paddle tube.
- Ball and socket joints retain actuator at both ends.
- Ball and socket joints have small retaining springs on outside that swing out to remove or lock the connections.
- Put large end up to help prevent water intrusion when in use.
- **As a precaution, consider placing a Sunbrella sleeve or plastic bag over the unit when at sea or if not in use.**



Installation Procedure For Above Deck Tiller System

Typical Tiller System Layout



Material Required for Tiller Installation

- Two (2) #8 mounting screws or nuts/bolts for mounting the Motor Drive box
- Two (2) #8 mounting screws or nuts/bolts for mounting the Control head
- Wire, #16 gauge or larger to connect from the Motor Drive box to:
 - The breaker/fuse on the vessel's 12V power distribution panel (2 wires)
 - The deck outlet for tiller actuator (2 wires)
 - Optional Wind Data connection (2 wires)

For a clean installation, we recommend maintaining the color code of the wires coming off the Drive Box as shown on the Drive Box Connections page. For example red to +, black to -, Green and Yellow to the deck outlet. This will assist in the installation and in any subsequent troubleshooting.

Electrical Connections

For Tiller Steered or Windvane Systems

- Power should come from a breaker/fuse panel
- A 10amp inline fuse is provided
- Maximum current is 15 amps
- A 20' control cable (provided) connects the Control Head with the Motor Drive Box.
- The actuator motor has a two wire connection. If mounting the actuator on the starboard side, the green goes to black and yellow to red on the Motor Drive box.
 - For a Port side installation the wires are reversed.
- The clutch has a two wire connection, Clutch Out and Ground. Note, this is not used in the standard Pelagic tiller system.
- There is a NMEA0183 input for wind steering. A gateway can be used to interface with NMEA2000. See page on Wind Steer Mode.

Installation for Above Deck Tiller

- Prior to beginning the installation, spend a few minutes to determine suitable locations for the major components of the Pelagic system. Consider the following when planning the installation:
 - Keep the Control box a minimum of 6" away from metal objects, including wires carrying charge loads and the deck compass
 - The Control box has an internal USB port to receive software updates, so it needs to be accessible (do not glue/epoxy in place)
 - Keep the harness from the Motor Drive box (black) to the deck plug less than 2 meters to avoid interference
 - Cable lengths provided:
 - Cable connecting the Control and Motor boxes is 20'
 - Cable length of standard Pelagic actuator is 5'
 - Cable length of small Pelagic actuator (for windvane installations) is approximately 5'
- Position and mount the control head level to the boat's lines both forward/aft and port/starboard and with the display pointing in the direction specified at time of order. This initial orientation is preconfigured at the factory.
 - Stern facing example – Control box is mounted on bulkhead with buttons facing aft
 - Bow facing example – Control box is mounted on transom with buttons facing forward
 - Port facing example – Control box is mounted on coaming with buttons facing towards Port side
 - Starboard facing example – Control box is mounted on coaming with buttons facing towards Starboard side
 - Should the installation require a change in the orientation, it can be changed by following the procedure described in "Changing Orientation"
- Position and mount the Motor Drive enclosure below deck out of the elements.

Installation for Above Deck Tiller

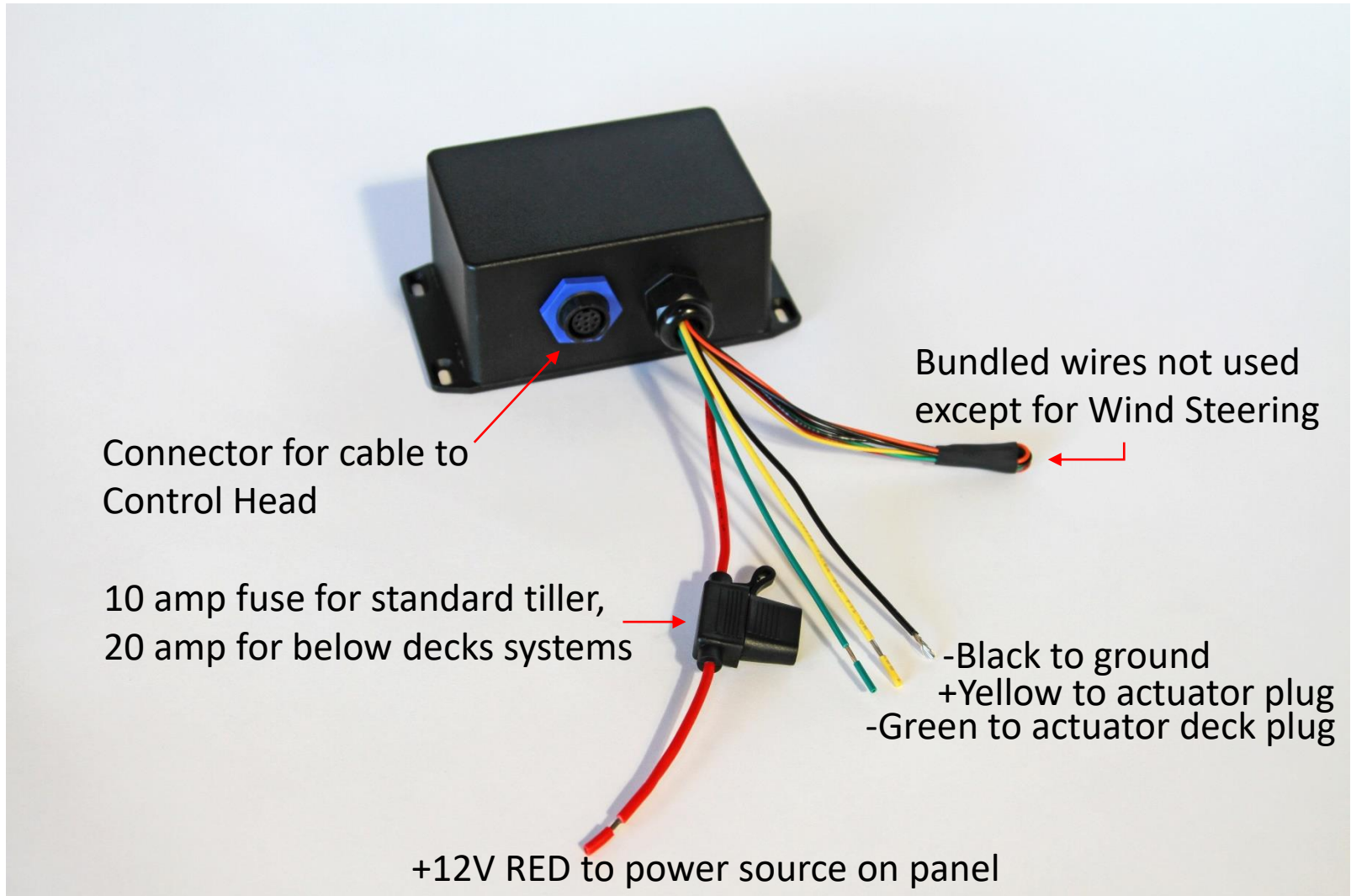
- Turn power off to the wires from the vessel switch panel that will connect to the autopilot power.
- Connect the large red wire coming from the motor drive box to +12 volts.
- Connect the large black wire coming from the motor drive box to ground.
- Connect the data cable to the white control head and the black motor drive box.
 - If necessary, to pass through a bulkhead, the cable can be cut and respliced.
- Switch on the power and confirm that the control head steps through a boot sequence and then settles into a slow flash of the RED LED.
- Press AUTO and confirm you see 3 green LEDs and a solid RED LED, this is AUTO steering mode.
- Turn off the power.
- Extend and connect the yellow and green wires from the motor drive box (below deck) to the Bulgin deck socket connector and secure (see next page).
 - Wire extensions are customer supplied
 - Keeping length to 2m maximum
 - Pelagic tiller actuators come prewired with a Bulgin connector, assuming they will be mounted on Starboard.
 - If the tiller actuator is mounted on the port side these must be reversed.
 - If your unit did not come with a Bulgin connector, connect the large yellow wire to the tiller actuator RED wire, and the GREEN wire to the tiller actuator black wire.
- Successful installation of the unit can be confirmed at this time by pressing the Green button. If installed correctly, this will result in the actuator moving outward, which if attached to the rudder, would result in the vessel turning to starboard. The actuator arm can then be retracted by pressing the Red button.
 - If the direction of the actuator arm results in the rudder being turned in the wrong direction, then the actuator wires need to be reversed.
 - The actuator motor has a two-wire connection. If mounting the actuator on the starboard side, the black wire goes to green and red to yellow on the Motor Drive box.
 - For a Port side installation these wires are reversed (green to yellow and yellow to black)
- The other wires coming out of Motor box are tied off and not used in a typical above deck tiller application.

Installation for Above Deck Tiller

- Install bronze deck fitting for actuator 24-7/16" (621 mm) from the tiller, with tiller centered
 - Depending on configuration of boat, an actuator extension may be necessary to provide necessary reach
- Install tiller pin in tiller located 18 inches (457 mm) from the axis of the rudder.
- You are now ready for a sea trial.
- Refer to System Operation for operational guidelines
- The Pelagic Autopilot is calibrated at the factory and unless the boat has a strong magnetic field, it's not necessary to recalibrate. This can be determined during the on-water testing described below.
- For initial on-water testing, engage the autopilot in a controlled situation (calm conditions, open waters, no boats nearby) to confirm basic operation including:
 - Engage/disengage the autopilot
 - Holding a course
 - Small course corrections
 - Test on a variety of headings
 - Failure to hold a course on different headings indicates magnetic interference
 - Check for metal objects within 8" of Control head and relocate if necessary
 - Recalibrate the Pelagic
- For those concerned with optimal performance, a set of sophisticated Dynamic Parameters are available to fine tune the Pelagic system. These are typically used by racers and beyond the scope of the typical user. They can be found in Advanced Features Settings.

Drive Box Connections

Standard Tiller Installation



Deck Connections

Mount the 3-pin deck socket within 4' of the actuator mounting bracket

- You will need to provide screws or nuts/bolts
- Thread one of the mounting screws through the dust cap provided

Connect yellow and green wires from the Drive Box to the back of the deck socket (see below)

- You may need to extend the wires to provide sufficient length

The 3-pin male connector on the actuator connects to the deck socket providing power to the actuator

- Note that on new, complete actuators, the connector is factory installed



3-pin male connector

Deck Socket



When mounting the actuator on Starboard:

+ Yellow from Motor box connects to terminal "N"

+ Green from Motor box connects to terminal "L"

Note that these wires are reversed when mounting the actuator on Port

The Bulgin Dust Cap/Moisture Cover

Serves as a tool to open up the 3 pin plug attached to the tiller actuator

Home > Products > Circular Power Connectors > Standard Series > Accessories For Standard Series Power Connectors

Accessories For Standard Series Power Connectors

Standard Buccaneer Connector

DESCRIPTION Technical Data

Accessories For Standard Series Power Connectors

12237 fits Standard Power Flex/In-Line Flex Cable Connectors to provide extra support for 5mm-7mm and 7mm-9mm cable diameters

12855 PVC Insulation Boot provides shock protection for the rear of Standard Series Front Panel Mounting Connectors (PX0799 Rear Of Panel Back Shell also available to provide an environmental seal to rear of panel)

PX0734 Sealing Cap can be used to maintain IP rating of unmated connectors and to remove coloured inserts from Standard Power Flex Cable Connectors

This end is a tool that unscrews a retaining ring within the male plug on the cable.

The plug, when viewing the pins, has a threaded retaining ring that can be unscrewed with the dust cap.

Code	Description	EAU
12237	Cable Support Accessory For Standard Series Power Connectors	0
12855	PVC Insulation Boot For Standard Series Front Panel Mounting Power Connectors	0
PX0734	Sealing Cap For Standard Series Rear Panel Mounting and PCB Mounting Power Connectors	0

Installation Procedure For Below Deck Systems

Material Required for Below Deck Installation

- Two (2) #8 mounting screws or nuts/bolts for mounting the Motor Drive box
- Two (2) #8 mounting screws or nuts/bolts for mounting the Control head
- Wire, #16 gauge or larger to connect from the Motor Drive box to:
 - The breaker/fuse on the vessel's 12V power distribution panel (2 wires)
 - The below decks RAM (2 wires)
 - The clutch mechanism (2 wires)
 - The rudder sensor (3 wires)
 - Optional Wind Data connection (2 wires)

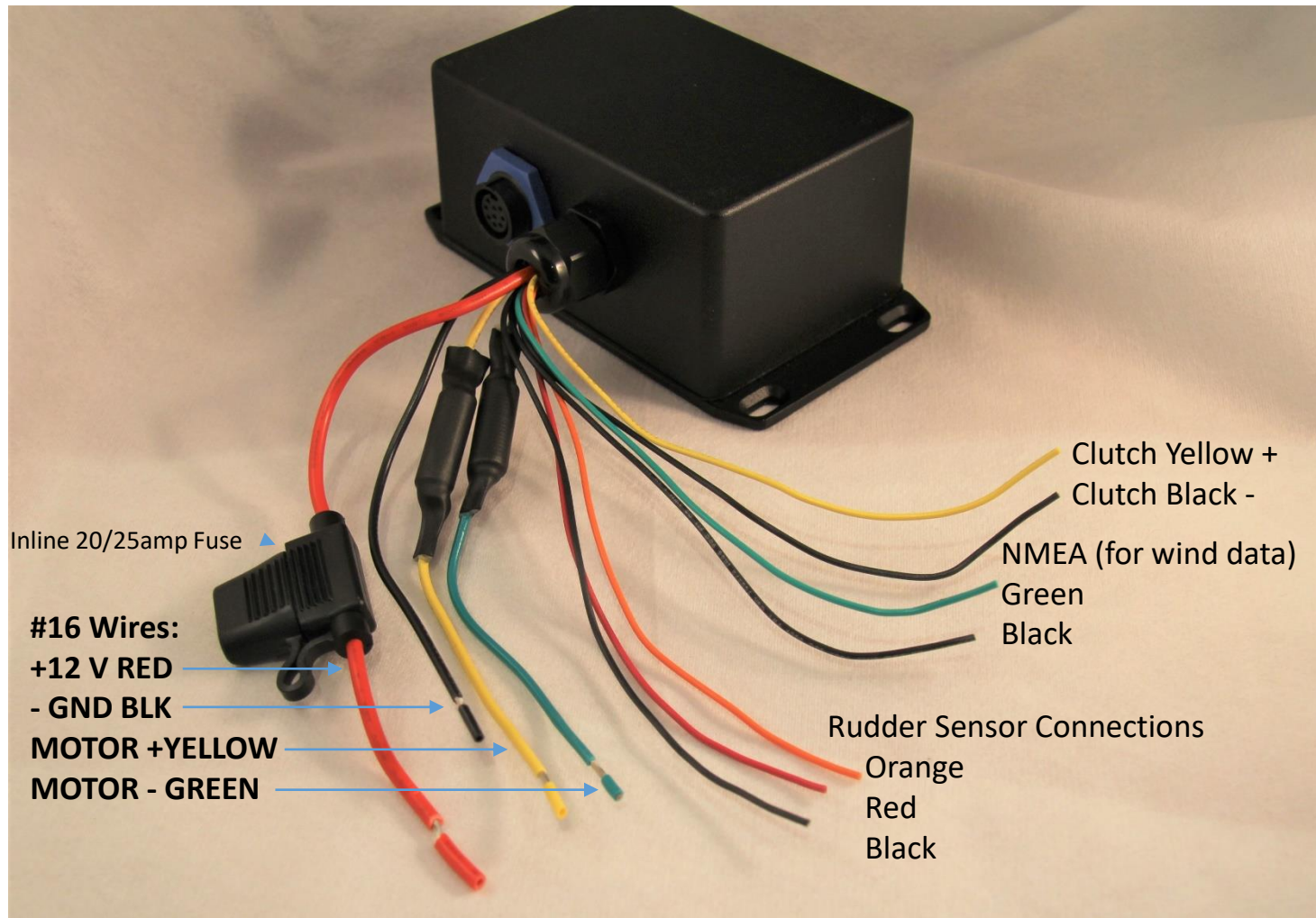
For a clean installation, we recommend maintaining the color code of the wires coming off the Drive Box as shown on the Drive Box Connections page. For example red to +, black to -, Green and Yellow to the RAM. This will assist in the installation and in any subsequent troubleshooting.

Installation for Below Deck Systems

- Prior to beginning the installation, spend a few minutes to determine suitable locations for the major components of the Pelagic system. Consider the following when planning the installation:
 - Keep the Control box a minimum of 6" away from metal objects, including wires carrying charge loads and the deck compass
 - The Control box has an internal USB port to receive software updates, so it needs to be accessible (do not glue/epoxy in place)
 - Keep the wiring run from the Motor Drive box (black) to the RAM less than 2 meters to avoid interference
 - Cable lengths provided:
 - Cable connecting the Control and Motor boxes is 20'
 - Cable length of standard Pelagic actuator is 5'
 - Cable length of small Pelagic actuator (for windvane installations) is approximately 5'
- Position and mount the control head level to the boat's lines both forward/aft and port/starboard and with the display pointing in the direction specified at time of order. This initial orientation is preconfigured at the factory.
 - Stern facing example – Control box is mounted on bulkhead with buttons facing aft
 - Bow facing example – Control box is mounted on transom with buttons facing forward
 - Port facing example – Control box is mounted on coaming with buttons facing towards Port side
 - Starboard facing example – Control box is mounted on coaming with buttons facing towards Starboard side
 - Should the installation require a change in the orientation, it can be changed by following the procedure described in "Changing Orientation"
- Position and mount the Motor Drive enclosure below deck out of the elements.
- Familiarize yourself with the wire harness coming from the motor drive box on the next page.

Drive Box Connections

Below Decks System Installation



Note: Any of the small black wires can be used for Clutch, NMEA or Rudder Sensor connections

Electrical Connections for Below Deck Systems

Connecting the Motor Drive and Control Head

- Turn power off to the wires on the vessel's switch panel that will connect to the autopilot power.
- Connect the large red wire coming from the motor drive box to +12 volts.
- Connect the large black wire coming from the motor drive box to ground.
- Connect the data cable to the white control head and the black motor drive box.
 - If necessary, to pass through a bulkhead, the cable can be cut and respliced.
 - If the cable is too long, it's best to coil up and secure any excess
- Switch on the power and confirm that the control head steps through a boot sequence and then settles into a slow, steady, flashing sequence of the RED LED.
- Press AUTO and confirm you see 3 green LEDs and a solid RED LED, indicating that you are in AUTO steering mode with a gain setting of 3.
- Press AUTO to return to STANDBY mode.
- Turn off the power to the system.

Electrical Connections for Below Deck Systems

Connecting the Motor Drive to the Below Deck RAM or Pump

- Turn off the power to the system.
- Connect the large YELLOW wire to the pump motor's large RED wire, and the large GREEN wire to the pump motor's large BLACK wire. If the actuator is mounted on the port side these must be reversed.
- Turn power on and allow the system to boot. On completion of the boot sequence and with the system flashing the RED LED, press the GREEN button momentarily, then repeat with the RED button.
 - Pressing the GREEN button will push the actuator out a small amount
 - Pressing the RED button will retract the actuator
 - For port mounted actuators the action is reversed
- Turn off the power to the system.
- The next slide describes clutch and rudder sensor connection.

Connecting the Below Deck Clutch

- Turn off the power to the system.
- The linear motor will have two, small diameter wires, typically labeled “clutch”, “bypass”, “coil”, or “magnetic clutch”.
- Connect one of these two wires to the small YELLOW wire and the other to one of the three small BLACK wires coming from the motor drive box. YELLOW is +.

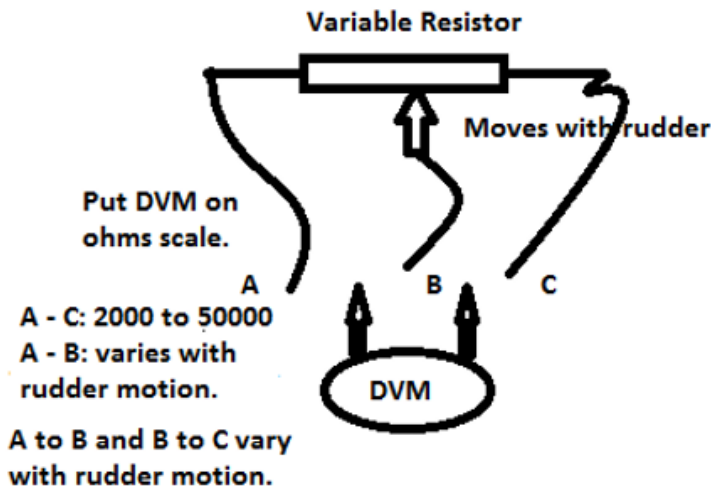
Connecting the Rudder Sensor

- The small RED, ORANGE, and one small BLACK wire coming from the motor drive box are the rudder sensor inputs.
- ORANGE senses the rudder position and the small RED and BLACK wires power the sensor.
- The AP will run without these connected but there is risk of driving the actuator and rudder to a mechanical limit and damaging a component.
- These connections are explained in the next two slides.

Rudder Sensor Connections

Use a resistive sensor only

A rudder sensor is an important component of your below decks autopilot. The Pelagic requires that a resistive type sensor be used. The Raymarine **M81105** one example of a resistive unit that can be used and the wiring diagram for that model is shown below. If your sensor is different, you can use a Digital Voltmeter (DVM) to determine how to connect to the Pelagic wires to the sensor.



Using a DVM for testing:

- Set the scale to 20K ohms
- Use the red and black test leads
- Resistor reading should be between 2000 and 20000 ohms.
- B to A or C will always be lower in value than A to C. Once B is identified, it should connect to the orange wire on the Pelagic.

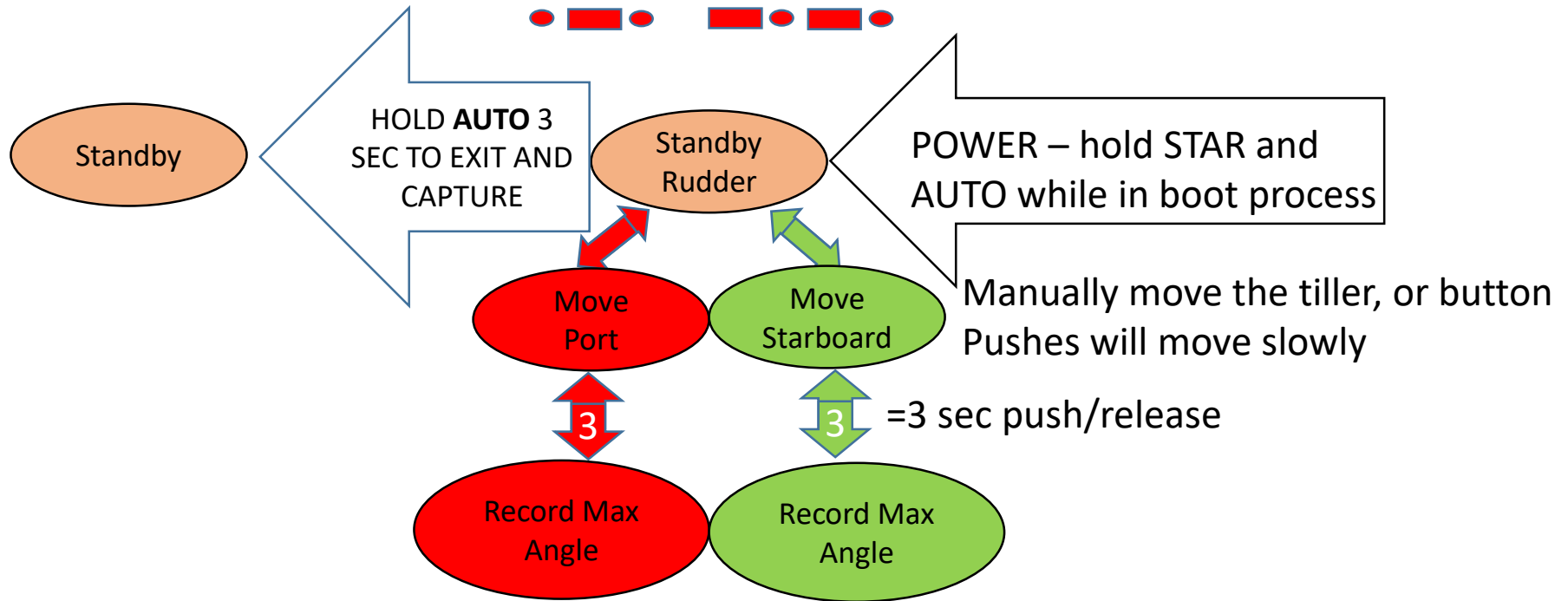
Raymarine Rudder Sensor Connection Example:

<u>Pelagic</u>	<u>Raymarine M81105 Rotary Sensor</u>
Blk (C)	Grn
Red (A)	Red
Org (B)	Blu

A and C may need to be reversed depending on how the sensor arm connects to the tiller arm.

Rudder Sensor Limit Setting

Push and hold STAR and AUTO during power up boot



Reset to factory settings: Enter Rudder Sensor Mode as above. Then exit to Standby by holding AUTO 3 sec without recording a PORT or STARBOARD setting.

Raymarine Rudder Sensor Connection Example:
Pelagic to Raymarine M81105 Rotary Sensor – mount to starboard
Blk => Grn, Red =>Red, Org =>Blu

Final Check for Below Deck Systems

- Check connections and provide power to the system.
- Once powered up and the boot process completed, the Control box will flash a Red LED at the rate of one flash per second
- Successful installation of the unit can be confirmed at this time by pressing the Green button. If installed correctly, this will result in the actuator moving outward, which if attached to the rudder, would result in the vessel turning to starboard. The actuator arm can then be retracted by pressing the Red button.
 - If the direction of the RAM arm results in the rudder being turned in the wrong direction, then the GREEN and YELLOW wires from the motrr drive box to the RAM may need to be reversed.
 - For a Port side installation these wires are reversed (green to yellow and yellow to black)
- Refer to System Operation for operational guidelines
- The Pelagic Autopilot is calibrated at the factory and unless the boat has a strong magnetic field, it's not necessary to recalibrate. This can be determined during the on-water testing described below.
- For initial on-water testing, engage the autopilot in a controlled situation (calm conditions, open waters, no boats nearby) to confirm basic operation including:
 - Engage/disengage the autopilot
 - Holding a course
 - Small course corrections
 - Test on a variety of headings
 - Failure to hold a course on different headings indicates magnetic interference
 - Check for metal objects within 8" of Control head and relocate if necessary
 - Recalibrate the Pelagic
- For those concerned with optimal performance, a set of sophisticated Dynamic Parameters are available to fine tune the Pelagic system. These are typically used by racers and beyond the scope of the typical user. They can be found in Advanced Features Settings.

Installation Procedure For Windvanes

Installing with a Windvane

Except for how the actuator is mounted, the installation of the Pelagic autopilot for windvanes is similar to the standard tiller system.

The type and mounting location of the actuator varies depending on the windvane being used. For example:

- The Monitor uses a small actuator that mounts on the D-ring and connects to the Monitor's gearset
- The Aries uses a standard tiller actuator mounted on a vertical leg, connecting to a specialized bracket in lieu of the airvane

Before beginning the installation of the Pelagic electronics, we recommend mounting the actuator onto the windvane to determine the best location for the Bulgin deck connector. This connector provides power to the actuator and needs to be in proximity for the actuator cable to reach.

- Note that the cable from the actuator is approximately 59" in length.
- If necessary, the length of the actuator wire can be extended by splicing additional wire onto the end.
 - Add additional wire to the end of the wire with the male Bulgin connector. DO NOT attempt to add wire by opening up the actuator motor housing.

Install the Pelagic control head and motor drive box in accordance with the installation procedure for a standard Pelagic Tiller system and the actuator per the instructions for your particular windvane.

Setting Parameters for Windvane Steering

The Pelagic Autopilot is preconfigured from the factory to perform well on most boats in a variety of conditions. If ordered for windvane steering, your Pelagic Autopilot is preconfigured from the factory with the following settings:

Gain 2

If you are already using the Pelagic for traditional tiller, wheel or below decks steering and are now connecting it to your windvane, you may find it necessary to adjust the Pelagic's parameters for optimal performance.

Even minor changes to the parameters can make a big difference in the overall performance of your system. When adjusting the parameters make small, incremental changes and document the results. You will likely end up with two configurations; windvane steering and traditional steering.

Installing the Actuator on a Monitor Windvane

The Pelagic system for the Monitor windvane is comprised of three (3) major components:

- The Controller
- Motor drive box
- Actuator mount including:
 - Small actuator
 - Polarity (ships with polarity set for starboard mounting)
 - Shipped out partly extended to aid in hook up
 - D-Ring Palette assembly (plate, u-bolts and lanyard)
 - Gearset bracket assembly

Installed Monitor Brackets

Quick pin and ball joint allows quick release



Frame Bracket Installed

Pinion Bracket Ball Joint
Connection



Using With a Monitor Windvane

To use the Pelagic with the Monitor windvane:

Remove the airvane from the Monitor

Attach the actuator to its base bracket and connect the ball joint at the end of the actuator RAM to the receiver on the Monitor gear set

Power on the Pelagic Autopilot

Remove the airvane from the Monitor

Attach the actuator to the gearset bracket

Hand steer to desired course

Lower water paddle going ≤ 4 kts

Center the waterpaddle

- You will find the remote control useful for this

Make sure the control lines to the helm are tight

Engage the autopilot by pressing the AUTO button

To disengage the Pelagic from the Monitor windvane:

Disengage the Monitor's control lines from your wheel or tiller and you are now hand steering

- Note the waterpaddle is still in the water and may affect your maneuverability

Disengage the Pelagic by pressing the AUTO button

Raise and secure the Monitor's waterpaddle when safe to do so

Helpful Hints:

Eliminate as much friction from the Monitor system as possible

- Make sure blocks on Monitor turn freely
- Make sure blocks leading the control lines to wheel/tiller are running free

Start out with the Pelagic Gain set to 2 and adjust from there

The Monitor is a servo-pendulum system and derives its power from the force of the water passing the waterpaddle. This requires the boat to be moving fast enough to generate the necessary force and will vary depending on many factors including current, wind and type of boat.

System Operation

Operation

BUTTON	Auto-push	Port-push	Star-push	Auto-3sec hold	Port-3sec hold	Star-3sec hold	Port-6sec hold	Star-6sec hold	
MODE									
Standby mode (red LED slow flash)	Go to Auto Mode	Rudder to PORT	Rudder to STAR	Wind Mode enable/disable	Go to GAIN adjust	----- Reserved For Future Use	DIM Display Flashes at each level	Reserved	
Auto mode (red LED solid)	Go to Standby	Turns 2° to Port	Turns 2° to Starboard	Wind Mode enable/disable	Tack to PORT	Tack to STAR	DIM Display Flashes at each level	Reserved	

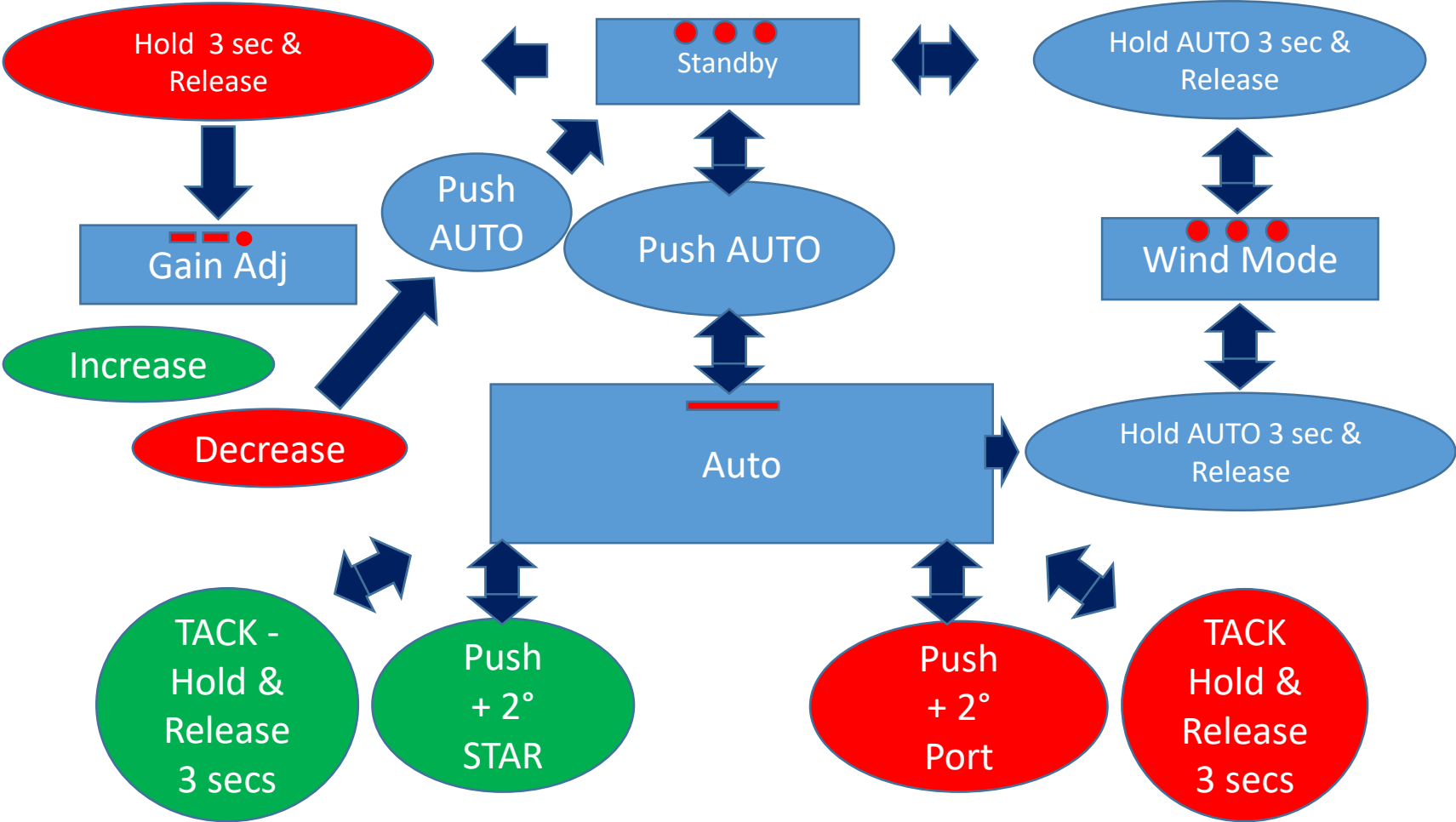
Feedback Adjustments: Hold the AUTO button at power up as the boot sequence completes.

Orientation mode: Hold the PORT button at power up as the boot sequence completes.

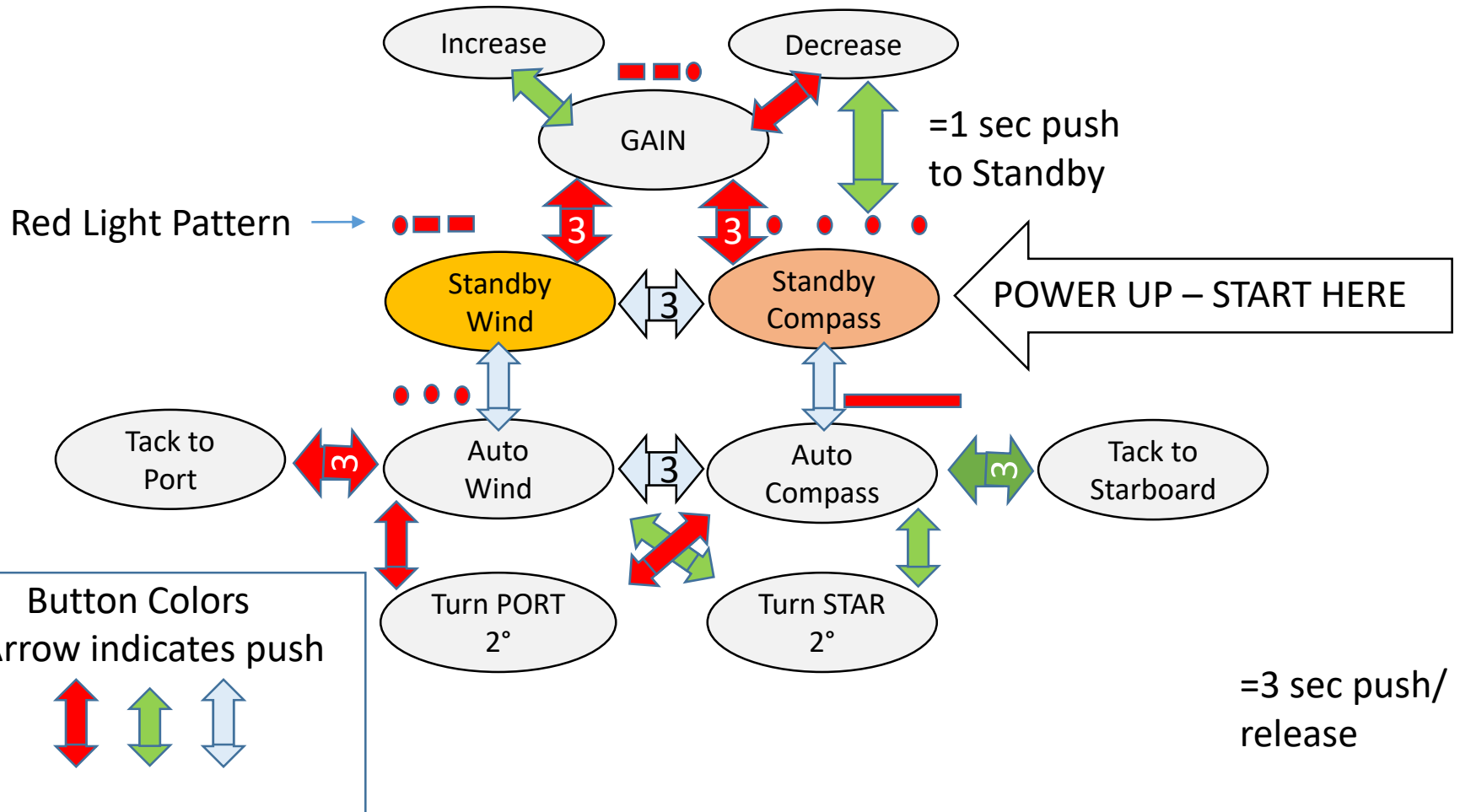
Compass Calibration: Hold the STAR button at power up. (see main manual for detail).

Alternatively, these modes can be entered by holding the PORT button for 12 seconds.

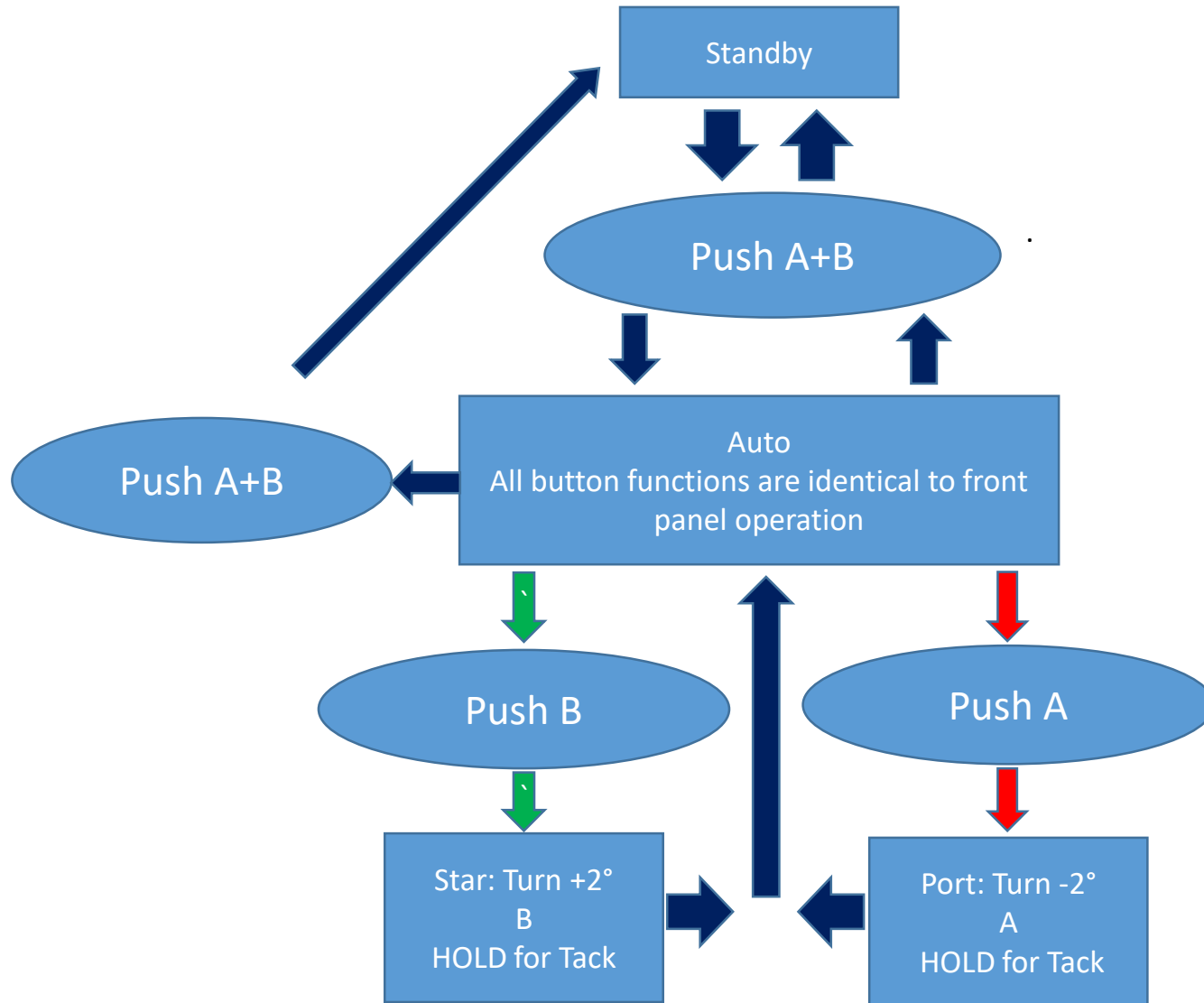
Quick Reference Guide



Controller Front Panel Operation



RF Remote Operation Summary



Summary of RF Remote Operation

BUTTON	Push A & B	Port push (A)	Star push (B)	Hold A & B 3 sec	Port 3sec Hold	Star 3sec Hold	Port 6sec Hold	Star 6sec Hold	RF Remote PORT & STAR Simultaneously
MODE									
Standby mode (red LED slow flash)	Go To Auto mode	Rudder to PORT	Rudder to STAR	Wind mode enable/disable	Go to GAIN adjust	Reserved	DIM Display It will each DIM level		Go To Auto mode (same as pushing AUTO button)
Auto mode (red LED solid)	Go To Standby	Turn 2° to Port	Turn 2° to Starboard	Wind mode enable/disable	Tack to PORT	Tack to STAR	DIM Display It will flash at each DIM level		Go to Standby



Release 53 addendum:
 - Pressing C or D will move rudder 10°
 - Press and hold C or D for 3 seconds to move rudder 25°

Gain Adjustment

The gain is displayed whenever the Pelagic is placed into Auto mode, with the gain setting equal to the number of green LEDs illuminated. These can be shown in both solid and flashing states. For example, a gain of 3 is displayed as 3 solid green lights, whereas a gain of 3-1/2 is displayed as 3 solids and a flashing green.

The Pelagic is preset at the factory with a gain setting of 3. In general, a gain setting of 3 is suggested for boats with fin keels and spade rudders. A gain setting of 2 is suggested for full keel cruising boats.

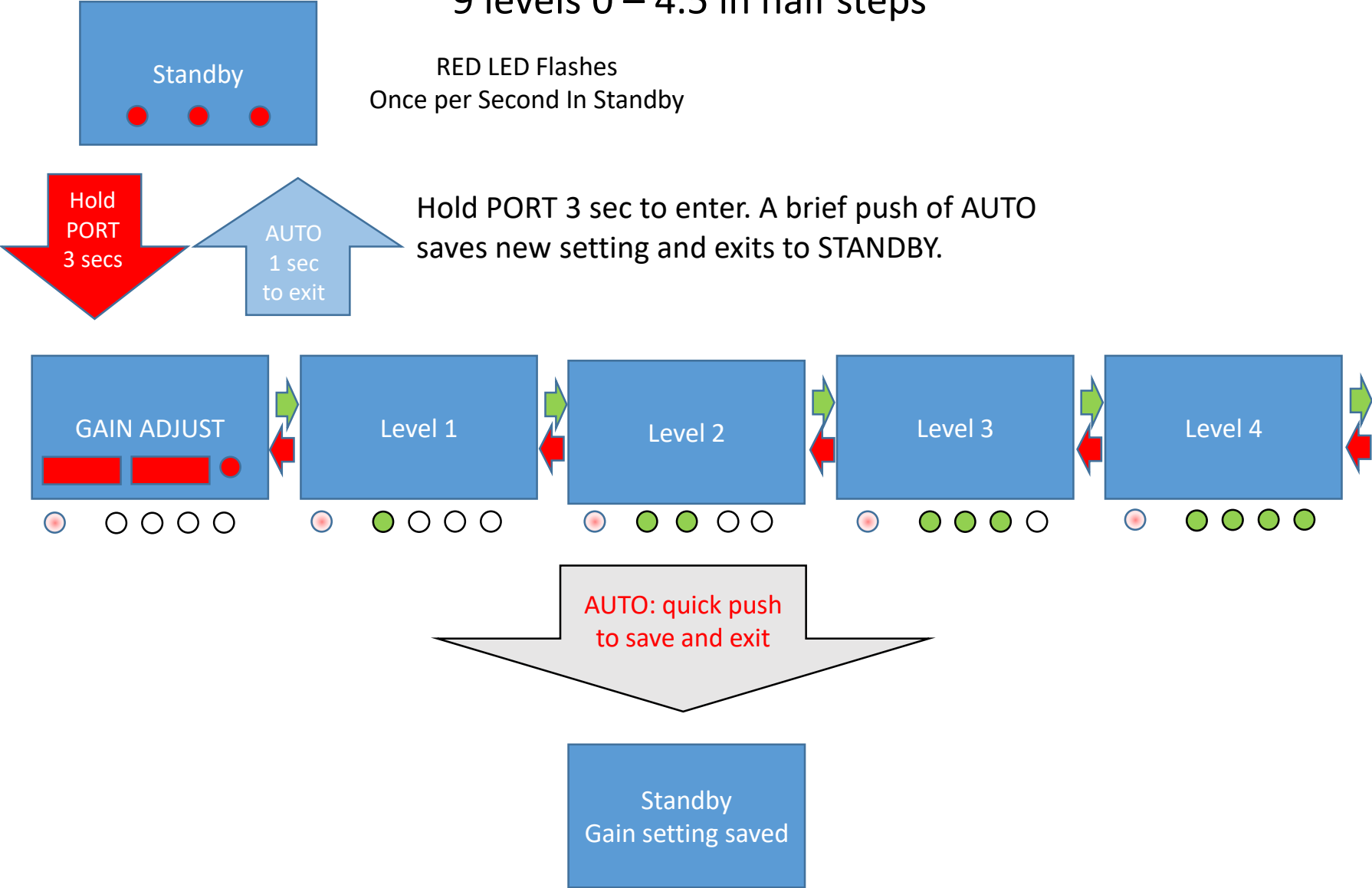
Set the gain as follows:

1. Power up the Pelagic system
2. When in standby mode, press and hold the red PORT button for approximately 3 seconds. The red light will flash and the current gain setting will be displayed.
3. To increase gain, press the green STBD button repeatedly until the desired level is reached.
4. To decrease gain, press the red PORT button repeatedly until the desired level is reached.
5. To save the setting, press the AUTO button for 1 second.
6. The new gain setting will be displayed the next time the Pelagic is placed in Auto mode.

GAIN ADJUSTMENT

9 levels 0 – 4.5 in half steps

RED LED Flashes
Once per Second In Standby



Connecting Wind Steer Feature (apparent wind angle)

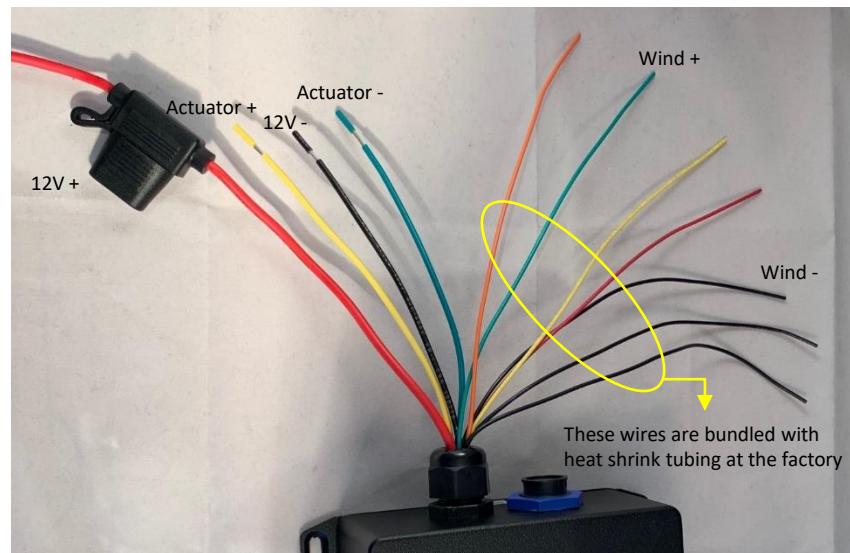
The Pelagic can adjust steering angle based on the apparent wind direction

To enable the Wind Steer feature, the Pelagic needs to receive wind input directly from the NMEA 0183 network or from an NMEA 2000 network via a gateway

In NMEA terms, the Pelagic will be looking for the sentence “xxVWR” to receive its wind input

Connect the small Green (+) and Black (-) wires from the Drive box to your NMEA output, using OUT+ and OUT- on your NMEA output port. Note various manufactures may use slightly different terms for the NMEA0183 inputs and outputs. These wires are located in the unused bundle of wires coming out of the back of the Drive box, with the ends wrapped in heat shrink tubing.

- Carefully cutaway the heat shrink tubing and identify the Green and black wires
 - Note that there may be 3 black wires, in which either can be used as NMEA ground



Notes on Steering with the Wind Steer Feature

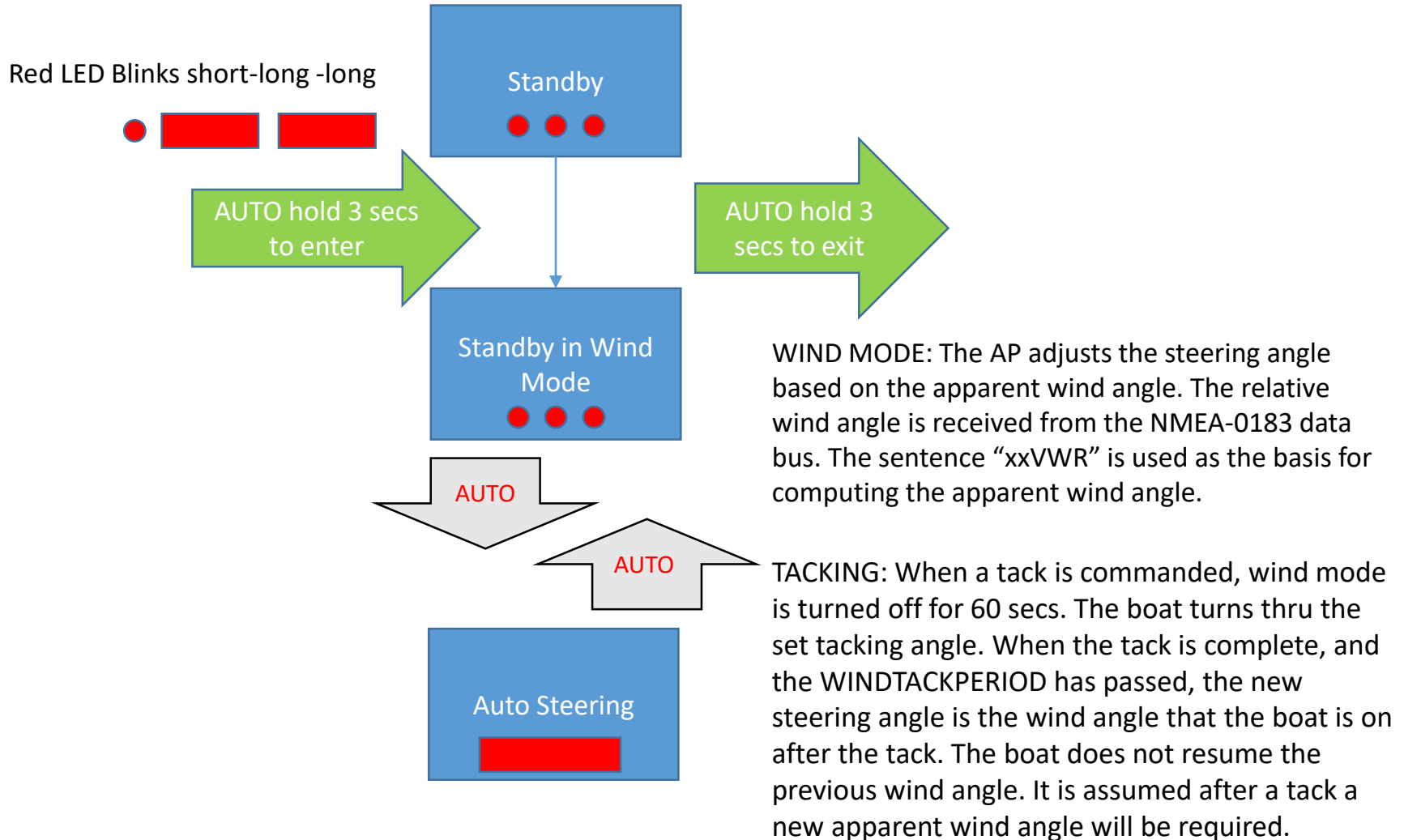
If wind data is not present on the NMEA network the Pelagic will not go into Wind Mode. Lack of wind mode data can be the result of several things including:

1. NMEA network is not creating/sending “xxVWR” sentences
 - Make sure that instruments are generating and sending xxVWR sentences over the network
2. The NMEA network is overloaded with extraneous data (clutter) and the Pelagic’s search is timing out
 - Filter out data not required on the network
3. The Pelagic input wires are improperly connected to the NMEA network
4. Not entering Wind Mode correctly on the Pelagic Control head
 - Press and hold the Auto button for 3 seconds
 - When done correctly, the Standby light will go from flashing red in Standby mode to a short flash followed by 2 longer flashes

Important notes on tacking with Wind Steer engaged:

1. When a tack command is entered, wind mode is turned off for 60 secs and the boat turns thru the set tacking angle.
2. When the tack is complete, and the WINDTACKPERIOD has passed, the new steering angle is the wind angle that the boat is on after the tack.
3. The boat does not resume the previous wind angle. It is assumed after a tack a new apparent wind angle will be required.

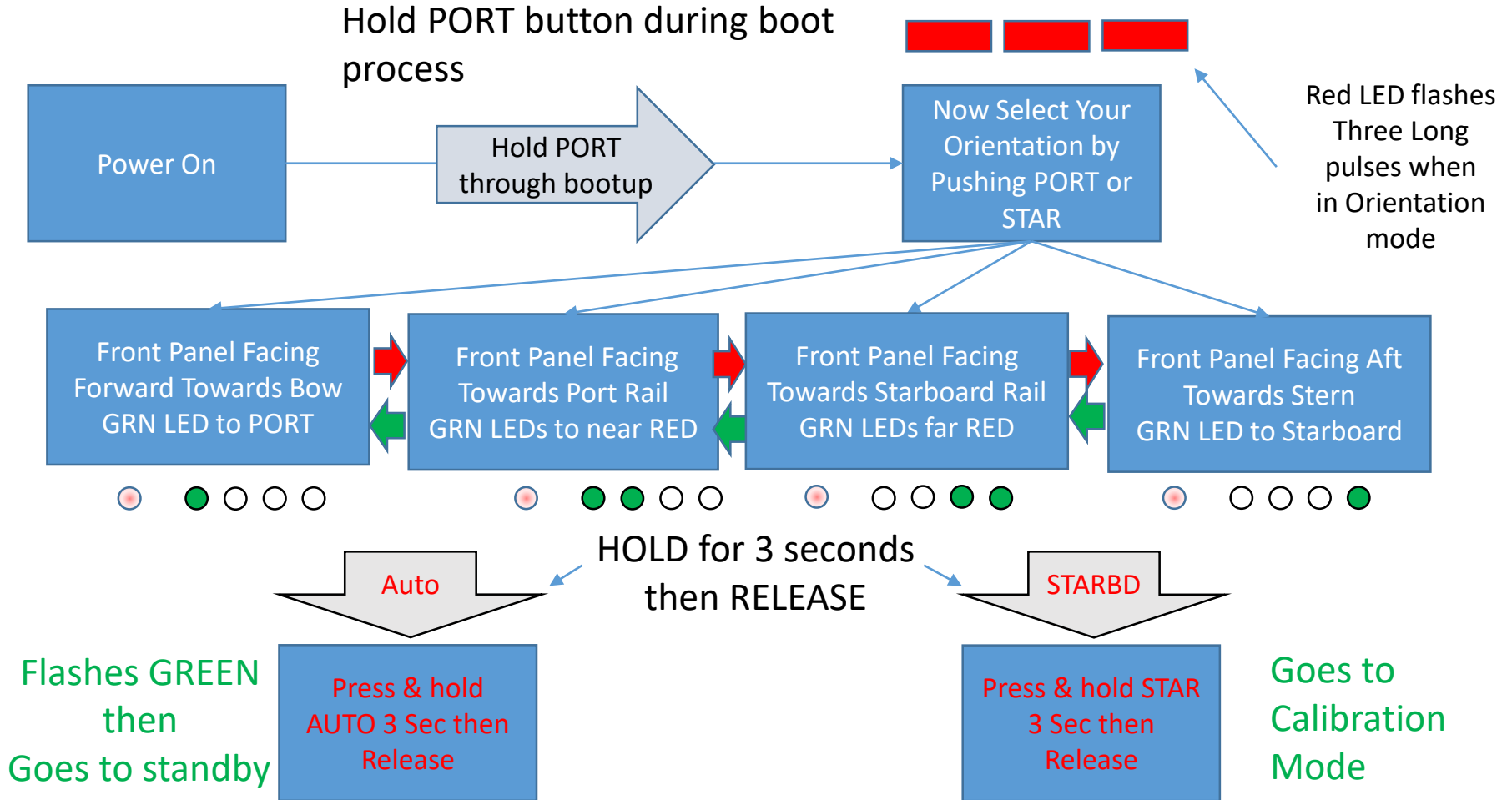
WIND STEER MODE (apparent wind angle)



Orientation of Compass and Gyro

- Orientation is the process of orienting the compass and gyros correctly, so that as the boat pitches and rolls, the feedback to the rudder is in the appropriate direction.
- **Initial orientation of the Pelagic is specified by the customer when ordering and is preconfigured at the factory. Unless the final installation is different, there is no need to reorient the unit.**
 - Stern facing example - Control box is mounted on bulkhead with buttons facing aft
 - Bow facing example - Control box is mounted on transom with buttons facing forward
 - Starboard facing example - Control box is mounted on port side of cockpit with buttons facing starboard
 - Port facing example - Control box is mounted on starboard side of cockpit with buttons facing port
- Should the installation require a change in the orientation, it can be changed with the following procedure. **Note that reorientation of the system requires recalibration of the compass.**
 - Power on, then press and hold the PORT (red) button until the bootup process completes.
 - The RED LED will flash three long flashes when in Orientation Mode and one of the 4 GREEN LEDs will be lit on either the far left side or far right side, indicating current orientation.
 - A GREEN LED lit on the far right side indicates Stern facing orientation
 - A GREEN LED lit on the far left side indicates Bow facing orientation
 - Pushing the PORT button will move the lit GREEN LED to the port or starboard side.
 - The 4 GREEN lights will flash 3 times during the transition
 - Once orientation setting is correct, push AUTO for approximately 3 seconds to store setting and return to standby mode
 - Recalibrate the system before using the Pelagic autopilot

ORIENTATION SELECTION (Orienting the control head)



Note: At the end of the calibration process, one GREEN LED will end up being displayed nearest starboard rail of the boat.

- If bow facing, the illuminated GREEN LED should be nearest the flashing RED LED
- If aft facing, the illuminated GREEN LED should be furthest from the RED LED
- If port facing, two GREEN LEDs will illuminate nearest the RED LED
- If starboard facing, two GREEN LEDs will illuminate furthest from RED LED

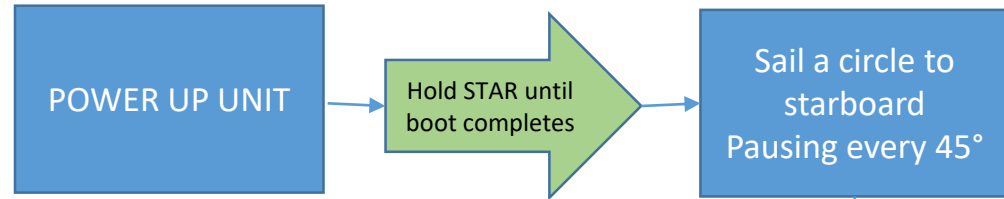
Calibrating the Compass

- Compass Linearization – Swinging the Compass
 - Initial calibration of the Pelagic is performed at the factory and it is typically not necessary to recalibrate the unit.
 - However, if there is magnetic interference from foreign objects on the boat, then it will be necessary to recalibrate on the vessel. This allows the Pelagic to compensate for the boats unique magnetic signature.
 - Best done in calm conditions
 - Can be performed under motor or sail or at the dock.
 - If you fail to save the calibration prior to powering down the unit, calibration will not be saved and will revert to a pre-calibration state. It is then necessary to recalibrate the unit prior to use.
- If the calibration process is not successful, when the system reboots, the far-right GREEN LED will turn solid and the port RED LED will flash rapidly, indicating a poor calibration.
- To remedy, reboot holding the STBD button through the entire boot process (approx. 13 sec) until the green light disappears and the system comes up in calibration mode.
 - Repeat calibration process until successful.

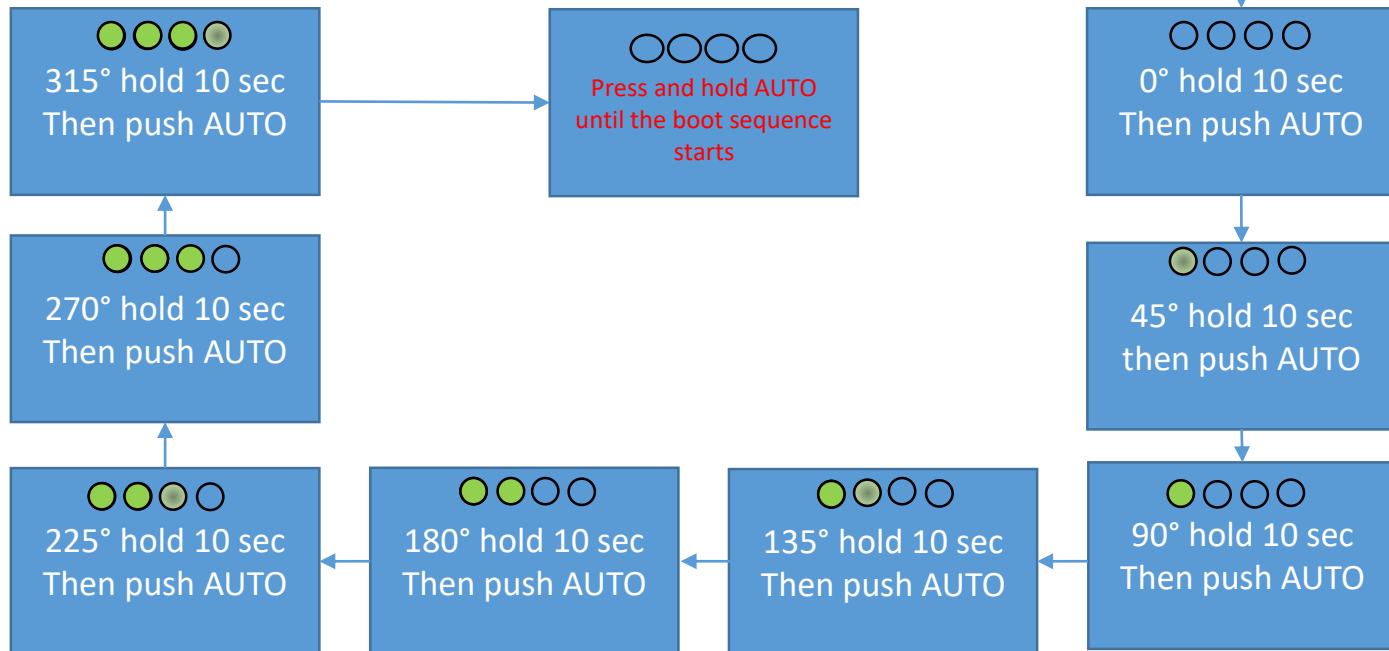
Compass Calibration Linearization – Swinging the Compass

NOTE: If calibration process is not successful, the right GREEN LED will turn solid and the port RED LED will flash rapidly the next time the system reboots, indicating a poor calibration.

Red LED flashes this sequence



RESET: If you exit this process by powering down prior to the last step, the compass calibration values are reset to factory settings and are not saved.

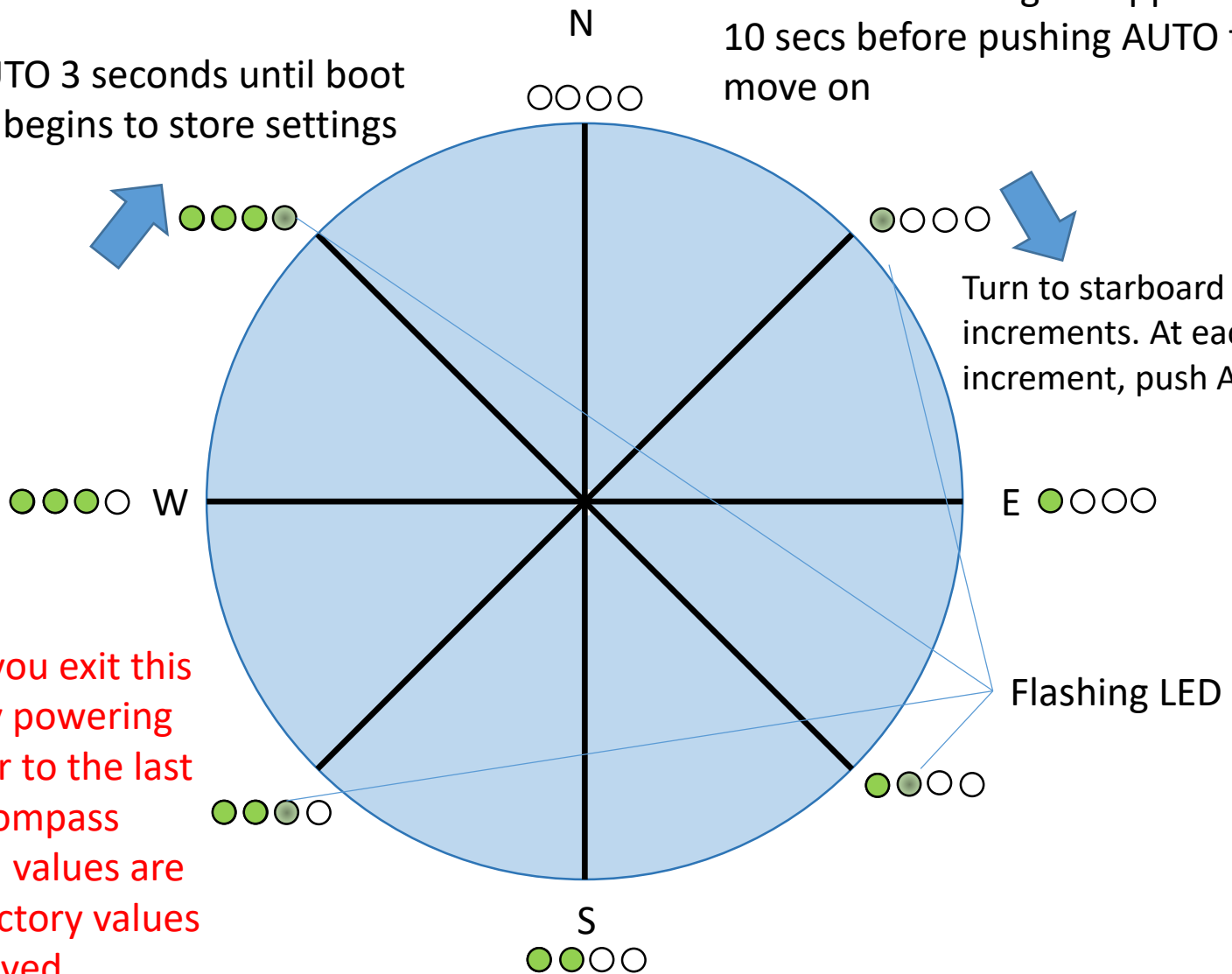


Compass Linearization

Lights shown as each calibration point is entered.

Hold AUTO 3 seconds until boot process begins to store settings

Hold each heading for approximately 10 secs before pushing AUTO to move on



Turn to starboard in 45° increments. At each increment, push AUTO 1 sec.

RESET: If you exit this process by powering down prior to the last step the compass calibration values are reset to factory values and not saved.

Advanced Features

The Pelagic Autopilot is preconfigured from the factory to perform well on most boats in a variety of conditions.

Nevertheless, there may be situations where additional tuning is required, particularly with high performance boats.

The Pelagic system can be enhanced to accommodate the demands of high performance boats through a series of advanced features called Dynamic Parameters.

Given the number of options available and complexity of the system, it is strongly recommended that you familiarize yourself with the operational characteristics of your Pelagic autopilot before attempting to change the Dynamic Parameters.

Dynamic Parameter Adjustment – Enable at Power Up

(when in this mode the GAIN is preset to 3)

- Power up and hold the AUTO button until boot process completes.
- The RED led will flash a long-short, long-short pattern.
- The STAR/PORT buttons are pressed to select the parameter to adjust as indicated by which green LED is lit
- The AUTO button switches to autopilot steering and then allows adjustment of the selected parameter while in AUTO mode.
 - Pressing AUTO again takes you back to parameter selection.
- Pressing and HOLDING AUTO for 3 seconds will save the new settings and reboot the autopilot.

Dynamics Parameter Settings

- GAIN set to 3
- Full keel boats (starting settings):
 - Low Speed Course Correction (KISub) = 0
 - Course Correction (KI) = 1.5
 - Yaw Suppression (KP) = 3
 - Yaw Damping (KDI) = 0
 - Yaw Acceleration Rate (KYDD) = 3.5
- Wind Vane control
 - Low Speed Course Correction (KISub) = 0
 - Course Correction (KI) = 1.5
 - Yaw Suppression (KP) = 3.5
 - Yaw Damping (KDI) = 0
 - Yaw Acceleration Rate (KYDD) = 3.5

Adjustment of Dynamic Parameters

Light OFF: Reserved for future use

Light 1: Course correction

Light 2: Yaw suppression

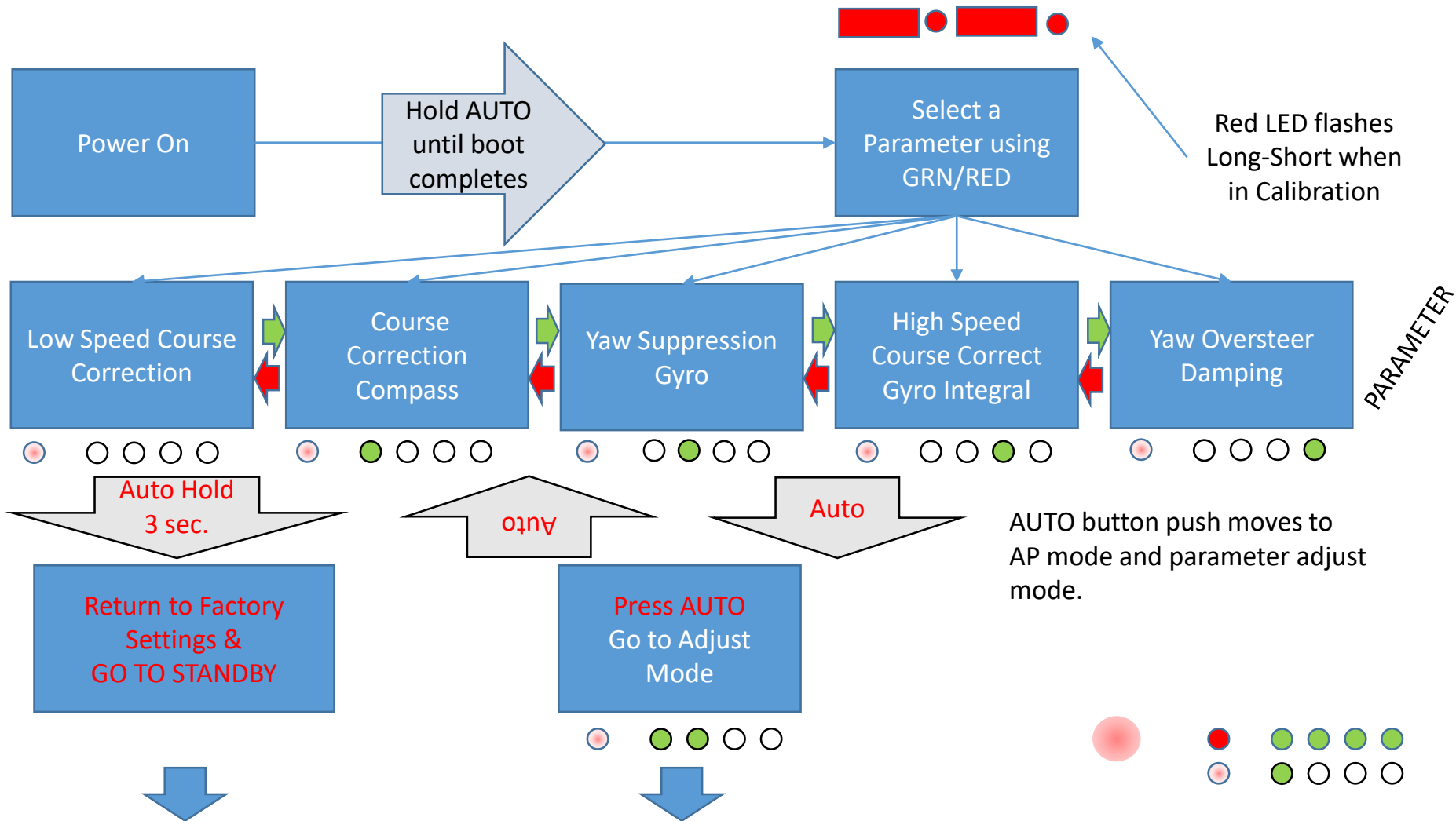
Light 3: Yaw damping (similar to Continuous course correction but uses Rate Gyro)

Light 4: Yaw rate of change damping adjustment (helps with gusting winds/seas) (KYDD)

Green lights from left to right

Dynamic Parameter Selection

Or return to factory settings.



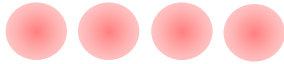
This path resets the parameters to the factory settings.

This path moves to individual parameter adjustment while the AP is actively steering the boat

Parameter Adjustment

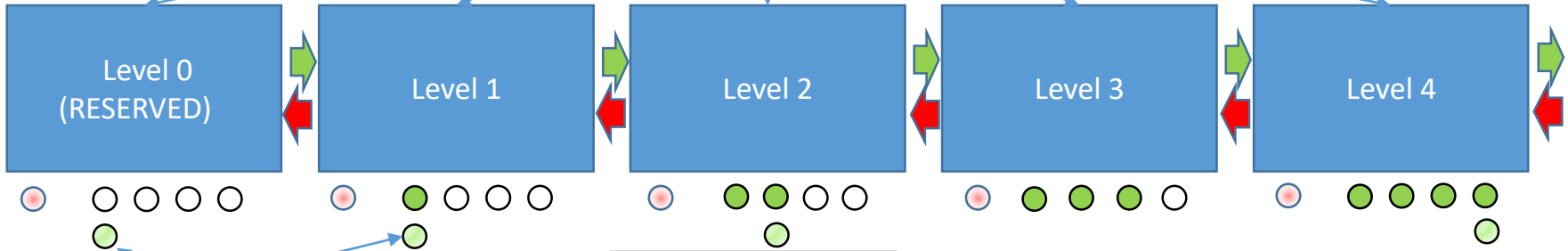


Red LED flashes
FAST when
in ADJUST mode



Adjust Selected
Parameter for
Best Performance

WHEN IN THIS MODE THE AP IS IN CONTROL.
ADJUST the SELECTED SETTING:
Each has 9 levels
Odd levels flash one green LED



Flashing Green = 1/2 Level



Writes new settings to memory and
causes a counting sequence
to appear on the green LEDs.

Writes Settings to
Memory –
Returns to
Standby

Optimization Adjustment Method

Listed in order of green LED, left to right

	Parameter Selection
Adjust settings in mild conditions, flat water.	
Low speed course correction (DONT CHANGE)	<input type="radio"/> <input type="radio"/> <input type="radio"/> <input type="radio"/>
Course correction: (3rd) if the boat reacts too slowly in light conditions try increasing. If it starts getting snake-ie reduce or go up 1 step	<input checked="" type="radio"/> <input type="radio"/> <input type="radio"/> <input type="radio"/>
Yaw Rate Suppression: (1st Start here) if your boat is snaking around try increasing this.	<input type="radio"/> <input checked="" type="radio"/> <input type="radio"/> <input type="radio"/>
High speed course correction: (4th) Adjust this up or down to enhance yaw reaction, decrease if you find yaw reaction causes course overshoot, i.e. too much rudder for the amount of yaw.	<input type="radio"/> <input type="radio"/> <input checked="" type="radio"/> <input type="radio"/>
Yaw Rate Damping: (2nd) this could refine the snaking if it is an issue. Try increasing or decreasing.	<input type="radio"/> <input type="radio"/> <input type="radio"/> <input checked="" type="radio"/>

In rough conditions, the 2nd and 4th parameters are likely all you can adjust and make sense of the results, as the other settings might get lost in the sea state noise.

Parameter Adjustment

(when in this mode the GAIN is preset to 3)

- 5 settings exist for calibration
- They are accessed at power up by entering Calibration mode.
(Hold the AUTO BUTTON during power up/boot until the display stops counting. The RED LED with flash LONG-SHORT LONG-SHORT)
- Calibration mode has two states:
 - Parameter selection
 - Adjust parameter
- Selection:
 - Green LEDs are on one at a time.
 - No LEDs = parameter 1
 - 4 LEDs = parameter 5
- Setting Adjustment
 - Red flashes fast when in AP mode.
 - Boat is in autopilot mode.
 - 9 levels are available for each parameter.
 - Green LEDs are parameter indicators
 - Red button lowers setting.
 - Green button increases setting.
 - Adjust for best boat response.
 - When finished holding the AUTO button locks the settings in memory.

Dynamics Parameter Adjustment

The 4 green LED's display the parameter value.

0 = no green LEDs lit.

1/2 = LED 1 flashing

1 = LED 1 solid

1 1/2 = LED 2 flashing

2 = LED 2 solid

2 1/2 = LED 3 flashing

3 = LED 3 solid

3 1/2 = LED 4 flashing

4 = LED 4 Solid

4 1/2 = All LEDs flashing

Typical Parameter Settings

Parameter	Wind Vane/Full Keel	Fin Keel/Spade Rudder
Low speed course correction	0 = O O O O	0= O O O O
Course Correction	1.5 = @ X O O	2= @ @ O O
Yaw Rate Suppression	2 .5 = @ @ X O	3.5= @ @ @ X
High Speed Course Correction	0 = O O O O	0= O O O O
Yaw Rate Damping	3.5 = @ @ @ X	3.5= @ @ @ X

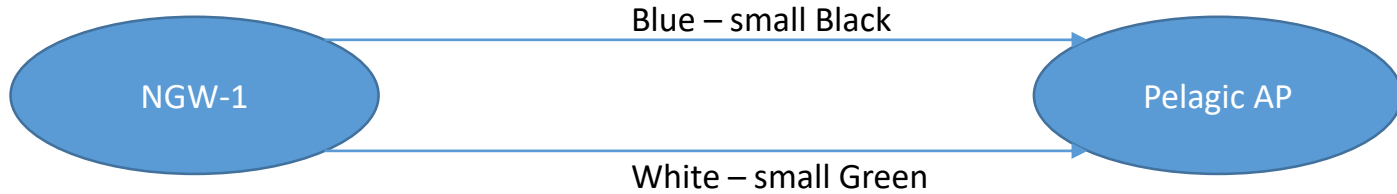
@ = ON, X = FLASHING, O = OFF

Technical Notes

ActiSense NGW-1

Connections for NMEA 2000 to NMEA 0183

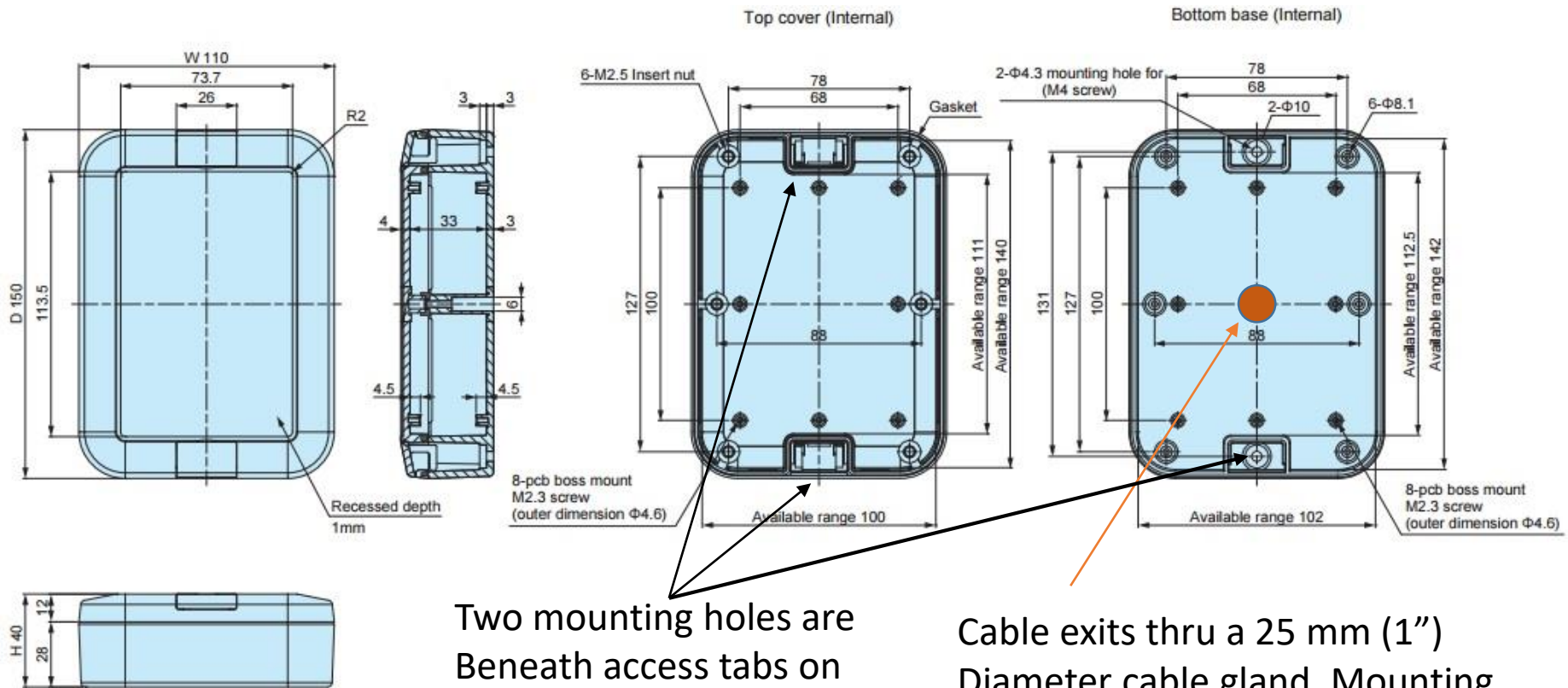
ActiSense Wiring



Unit Dimensions

Control Head Dimensions

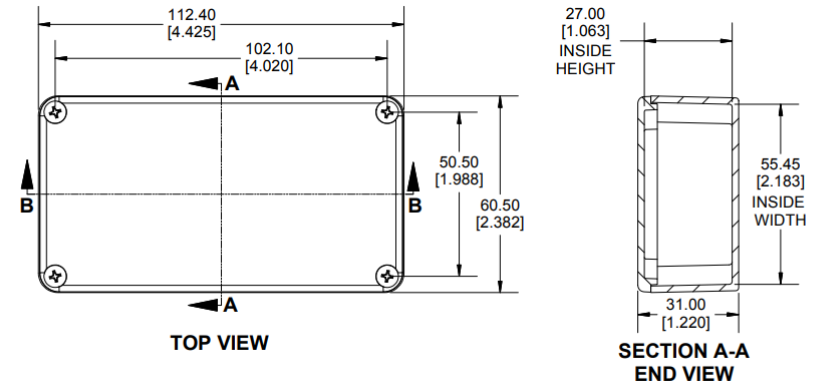
Units Shipped after May 2017



Two mounting holes are
Beneath access tabs on
The case face.

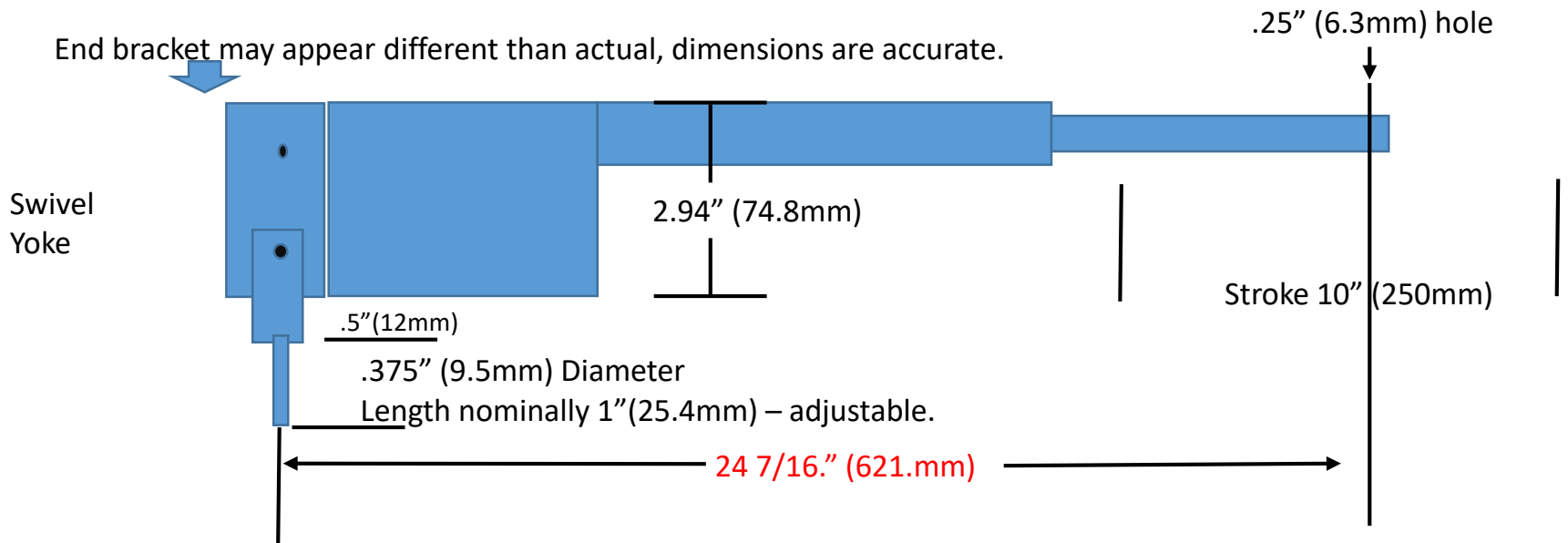
Cable exits thru a 25 mm (1")
Diameter cable gland. Mounting
Must include a hole to receive.

Motor Drive Box



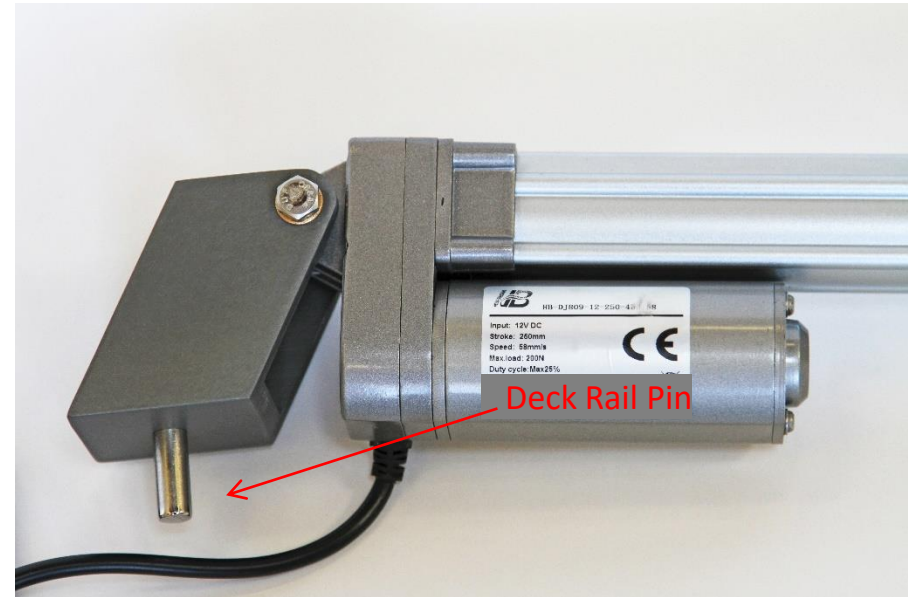
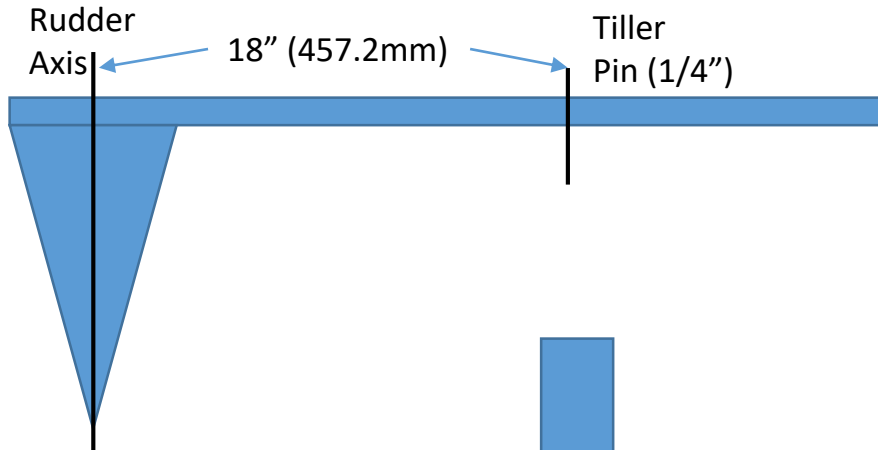
Note box dimension does not show mounting flanges

Tiller Actuator Dimensions



Tiller Actuator Mounting Spec

- Deck/Rail pin diameter 0.375" (9.53 mm)
- Rudder axis to mounting pin 18" (457mm)
- Tiller mounted pin diameter 0.25" (6.35mm)



Mounting bracket may vary
With date of manufacturing.

Brass Bearing: ID = 0.375" (9.53mm) to be mounted in deck. Load up to 200lbs
OD = 0.5" (12.2mm).

Remote Controls

Remote Controls



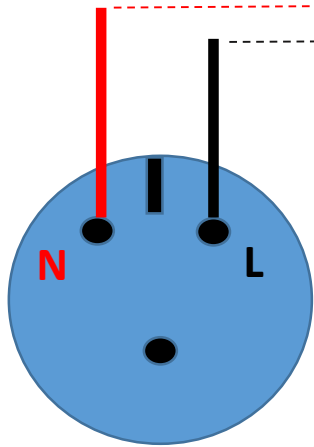
Learning remote. Available September 2019



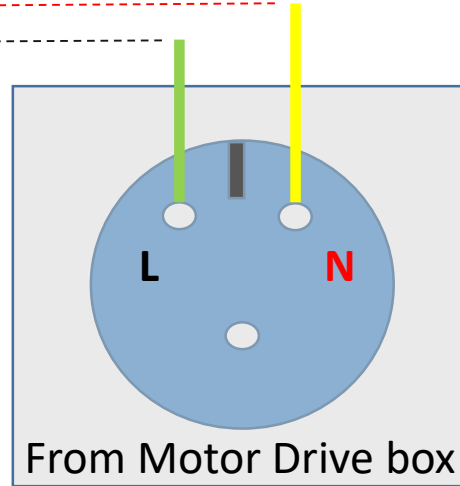
Original remote. Shipped prior to September 2019

Actuator Connector as Shipped for Starboard Mounted Actuator

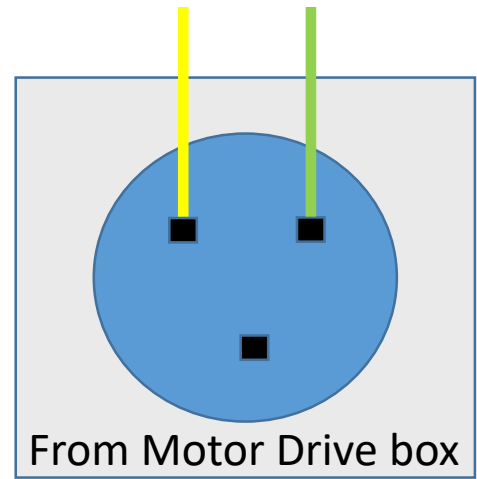
Reverse green and yellow for port side actuator mounting



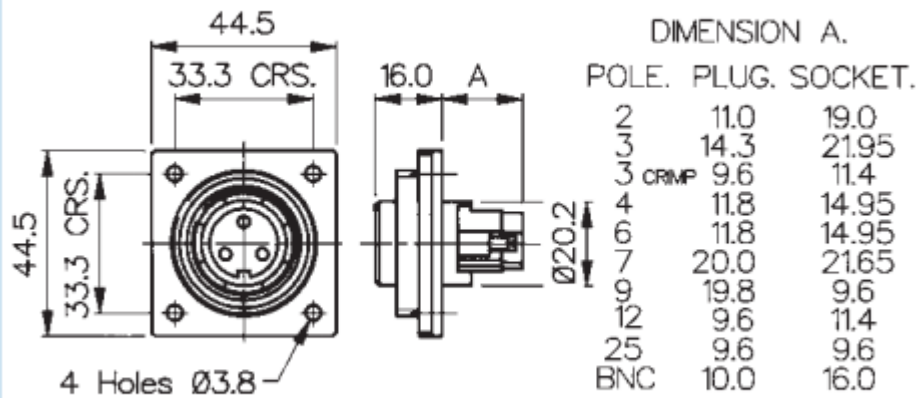
Male Cable Connector
Attached to Tiller Actuator
Internal color code
Front view



Female Deck Flange Connector **front view**.
Internal color code.
Reverse for Port mounting of actuator



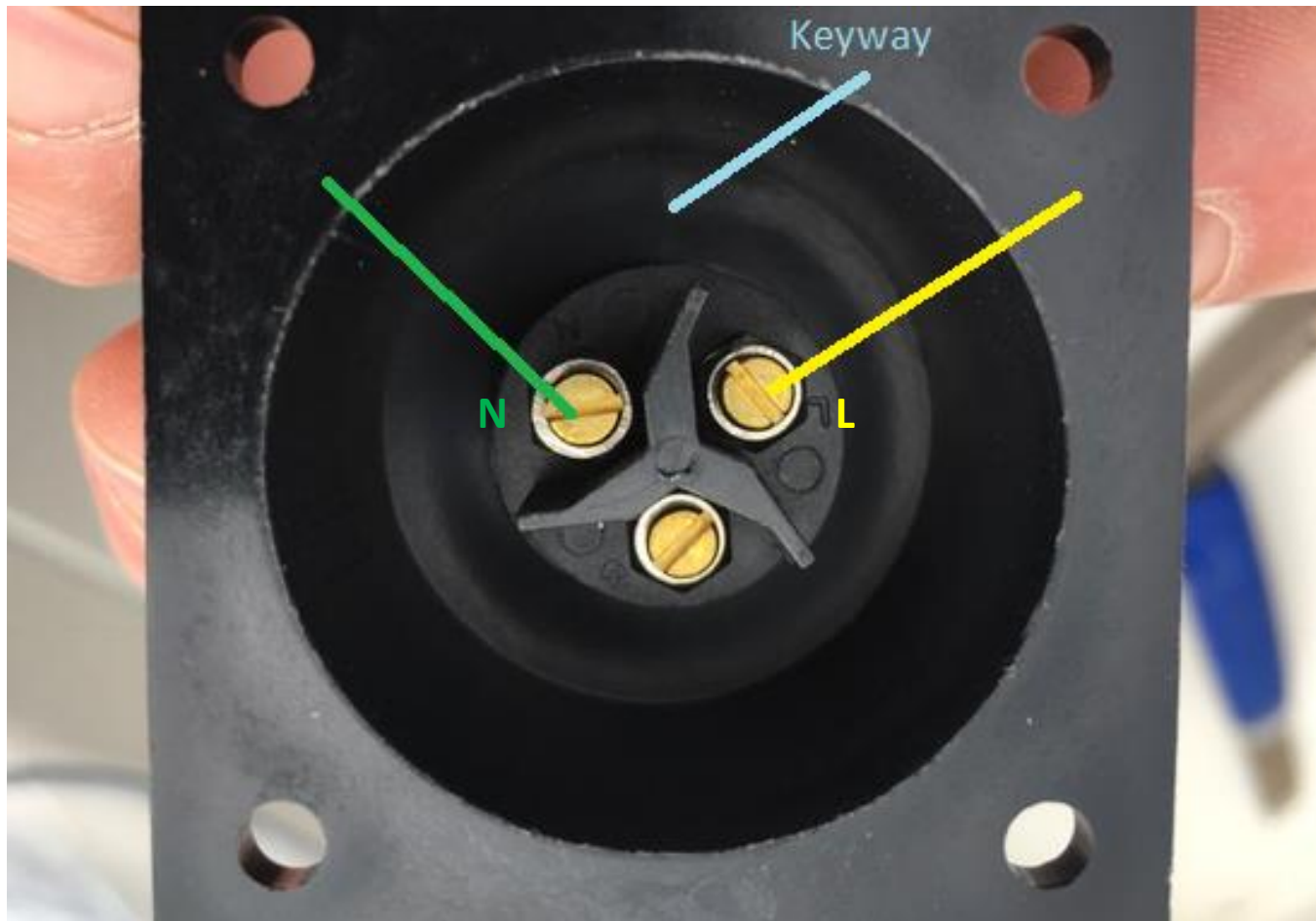
From Motor Drive box
Rear view of female deck flange with screw terminations.



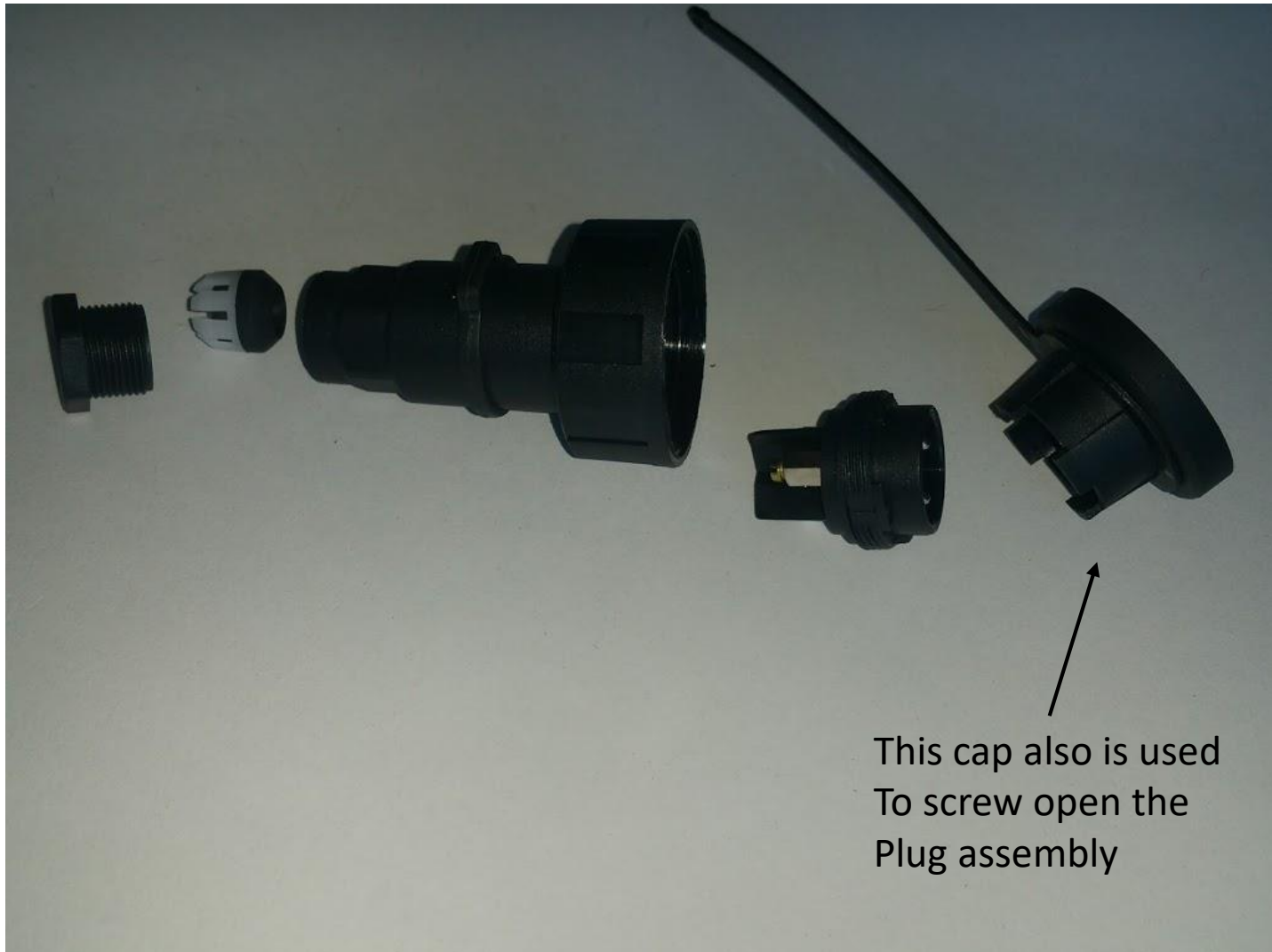
Dimensions –
Thru deck
hole size: 1 5/16”
(33.3mm)

Deck Connector

When mounting the actuator on the port side, the green and yellow wires are reversed as shown



Bulgin Male Plug Assembly

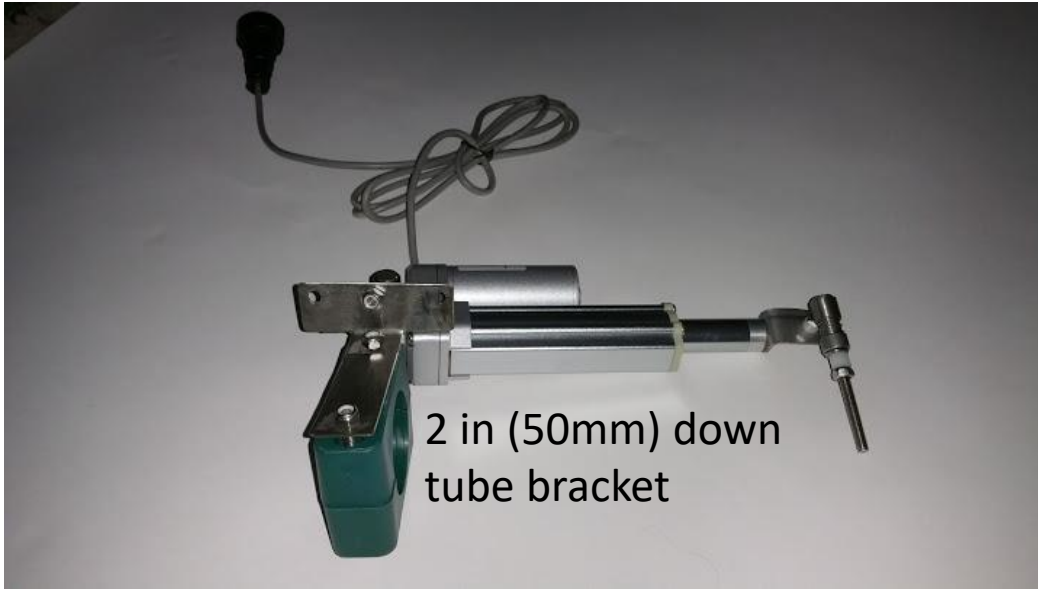


Windvane Kits

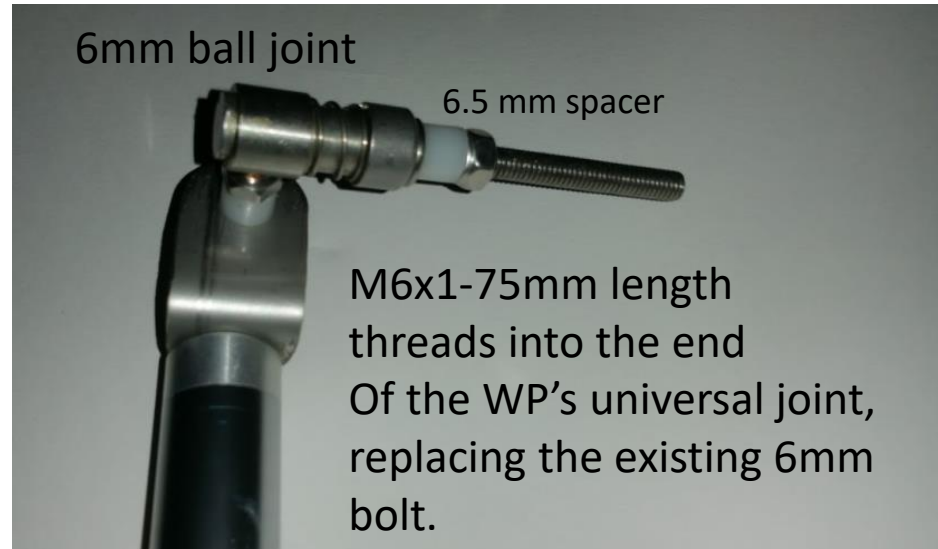
Monitor Wind Vane installation on “Owl”, Pacific Seacraft 37. Shown testing a prototype revision of the wind vane steering.



Windpilot Attachment Kit



- 12 Volt linear motor push rod, 75 mm span.
- 2 – 6mm quick release ball joints
- 50mm Down tube attachment brackets
- Bulgin IP68 rated electrical plug and socket
 - Buccaneer Standard Series 3 pin.
 - Socket cover for deck socket.



Windpilot Pacific Actuator and Parts



SailOMat attachment kit & photo of attach points



6 mm allen key required for 6 mm cap screws in 3" bracket



Pelagic
Software Updates
Upgrading System Software

Upgrade Requirements

- A Windows PC running Windows 7 or later.
 - Or An Apple PC running a recent version of IOS.
- A mini-B USB cable that fits into the computer USB port.
 - The mini-B side connects to the Pelagic control unit
- A small Philips screw driver to open the case of the Pelagic's control head.
- You do not need to provide power to the Autopilot during the upgrade process.

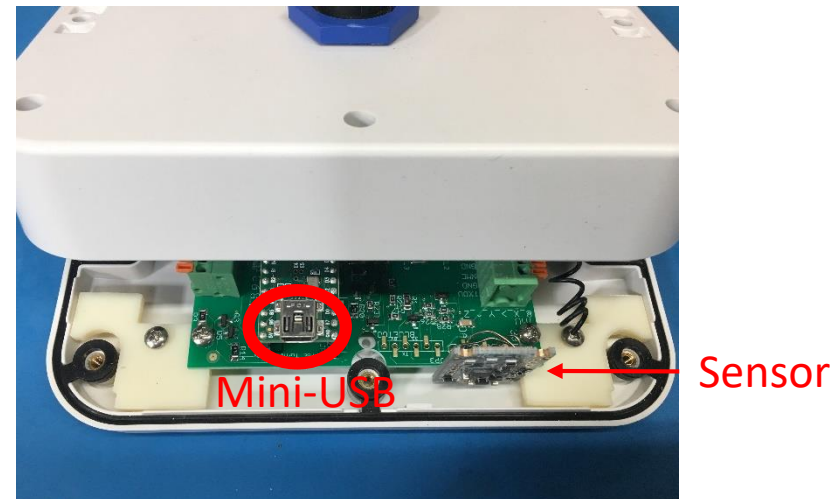


Receiving Software via Email

- Create a new folder, “PelagicSW”, or pick a name.
- Download, or move, the ZIP file into the directory created.
- Open the folder containing the ZIP file with windows explorer.
- Right-click on the ZIP file and select “Extract All”. This will decompress the files into a new folder.
 - Make sure the .exex, .dmgx, .hex, and .elf files are all inside the folder together. **The loader will not work if you try to run it from the .ZIP folder, make sure they are extracted.**
- Rename the .exex file to a .exe file, removing the last “x”. These files are sent as an .exex extension because many spam filters will not allow a .exe file to be downloaded, assuming it is a virus.
 - If using IOS (Apple) remove the last “x” from the .dmgx file.

Loading the New Software

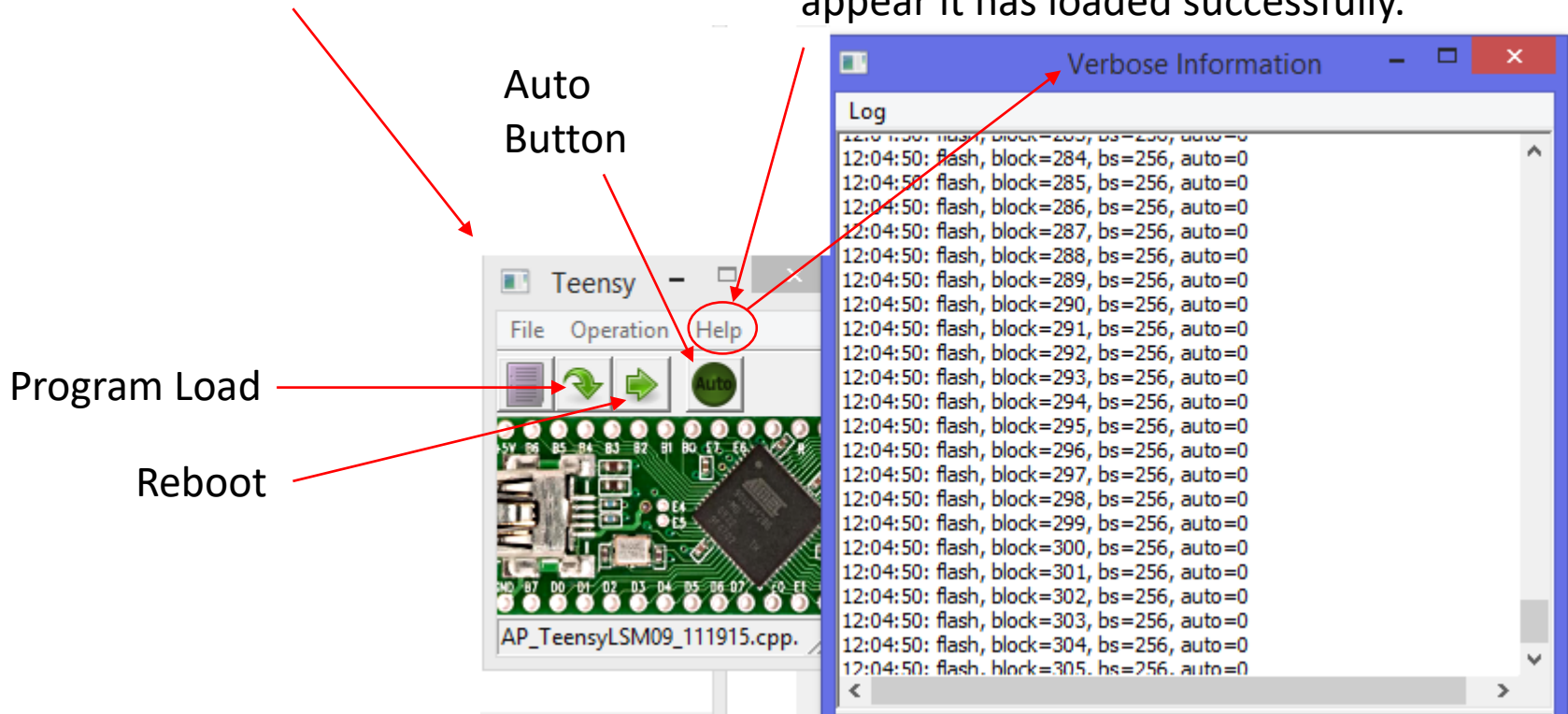
- Power off and remove the Pelagic control unit.
- Using a small-head Philips screw driver, open the autopilot control head by removing 6 screws on the back.
 - Note the original model has 4 screws on the face.
- With the serial number on the far side of the unit, carefully lift the cover and slide it towards the back of the unit, exposing the Mini-USB connector. Be careful **NOT** to push on the sensor.
- Connect the USB cable to the computer.
- Locate the USB Mini-B connector on the raised processor board as shown. The connector is at one end and the other end has a push button.
- Insert the Mini-USB USB cable into the socket.
- Run the Teensy.exe program (.dmg on IOS) which will open the Teensy loader window (note, it's very small)
 - It will automatically recognize the Pelagic system



The Teensy Loader for Windows PC

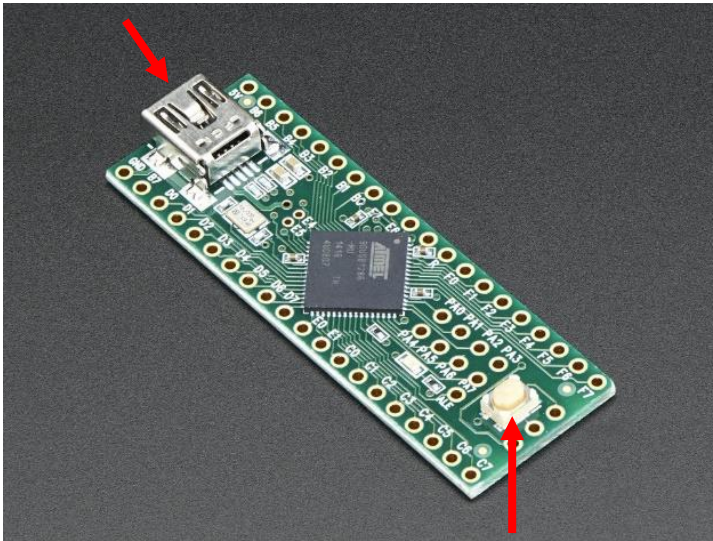
This is the Teensy loader window. It will appear when you run the teensy.exe file

Click on Verbose Mode under the Help button to view status of the download. If no errors appear it has loaded successfully.



Loading New Software (continued)

Mini B - USB
connector



Press Button

- Make sure the small AUTO button on the TEENSY loader is GREEN. Click on it to change the state. If this does not happen go to the file button on the TEENSY screen and click on "Open Hex file". Proceed to open the file.
- With the cable connected to the PC and the control unit, **press the small button on the micro computer**. The TEENSY load progress will show program load data for about 7 secs.
 - If software doesn't load automatically, you can click on the "Program Load" button shown on prior slide
- To view status of the download, you can click on Verbose Mode under the Help button. If no errors appear, it has loaded successfully.
- Once it completes, the Pelagic will reboot and come up in standby mode, with the red light flashing.
 - If the unit doesn't reboot automatically, you can click on the "Reboot" button shown on prior slide
- There is no other action required. All your previous settings, including calibration, orientation and gain will be intact.
 - The log file can be saved by choosing in the Verbose Information Log.
- Close the case, be sure to snug down the case screws as they create the watertight seal.
 - They should be tight but not so tight as to crush the seals. Tighten in a cross-case order and then retighten the screws you started with, similar to a head gasket order.

Control Head Models – Access to the USB connector.



Current Model: USB Connector is exposed by removing 6 screws on the back of the control head.



Original model: The USB connector is exposed by removing 4 screws on the front panel and then the circuit board by removing the 3 screws holding it in place.

Troubleshooting

Trouble Shooting

Symptom

- System reboots intermittently
- After system start up, the panel displays a solid Green LED for about 8 seconds, then goes away
- Actuator is moving tiller in wrong direction
- Pelagic Steers better at low gain
- Steers well in flat water conditions, not roly
- System steers erratically, sometimes intermittently

Solution

- Check wiring for loose connections, reseal fuse(s)
- This indicates a bad calibration. Recalibrate.
- Polarity is reversed. Switch Yellow and Green wires going from black motor drive box to actuator
- Check orientation and change to reflect installation. Recalibrate afterwards.
- Check orientation and change to reflect installation. Recalibrate afterwards.
- Check for metal objects or energized circuits near the white control unit and relocate if necessary

Requesting Tech Support

- When emailing or calling for technical support please provide the following information:
 - Name
 - Type, length of boat
 - Type of Pelagic system installed (standard tiller, below deck etc.
 - Serial number of your system components
 - Orientation of control head
 - Side that actuator is installed on (port or stbd)
 - Description of the technical issue